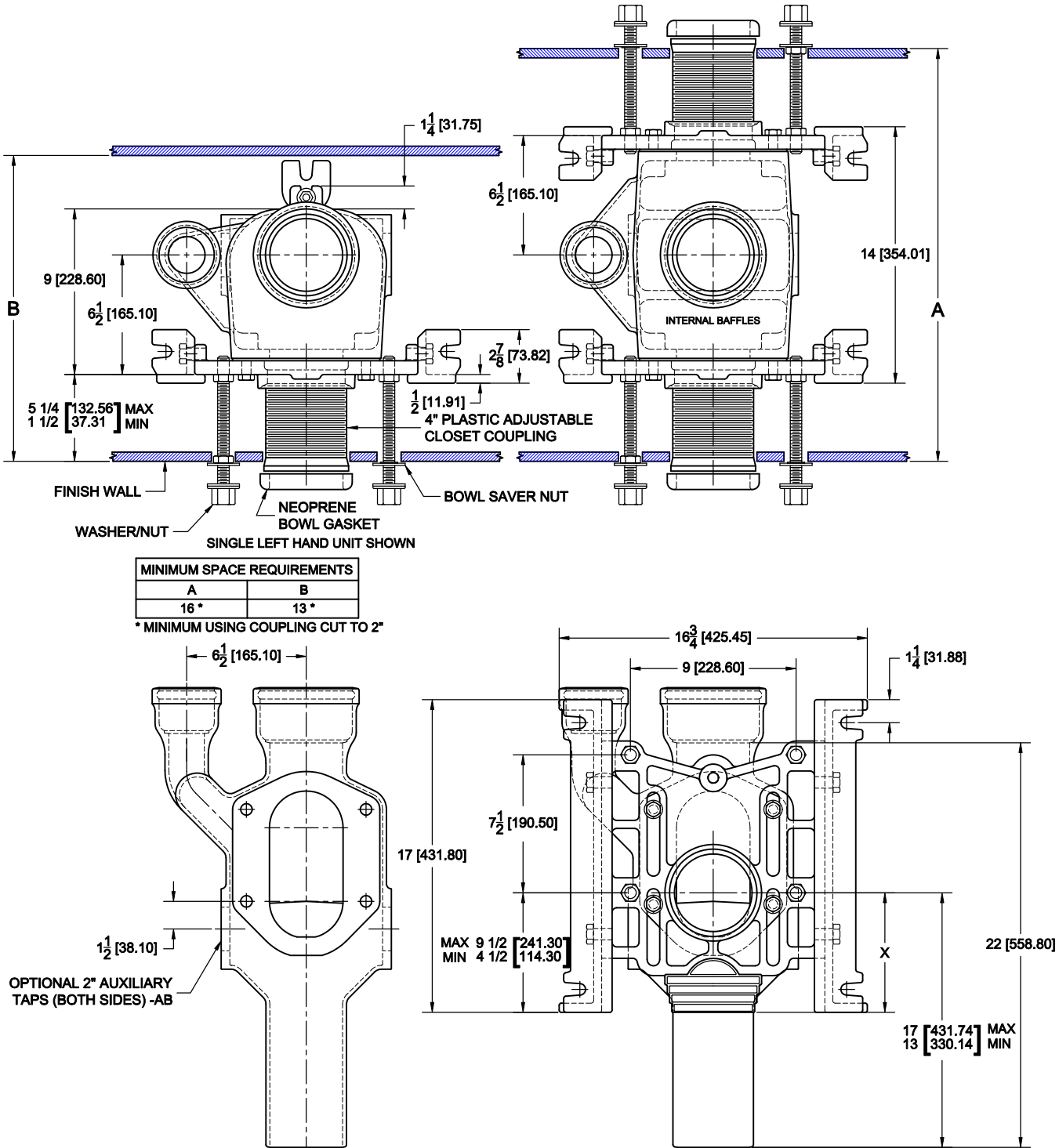


# CLOSET CARRIER



## 330-FPO SERIES

SERVICE WEIGHT HUB & SPIGOT ADJUSTABLE VERTICAL CLOSET CARRIER



FITTING ONLY DETAIL

"X" DIMENSION SHOULD EQUAL FIXTURE ROUGH-IN HEIGHT  
 LUGS ARE REMOVABLE IN 1/2" INCREMENTS

Cat.No. Wt.Lb.

330-CL-FPO	105.0
330-CR-FPO	105.0
330-CD-FPO	155.0

### OPTIONS

Suffix	Description
AP14	PLASTIC ADJ. COUPLING - 14" LONG
AC2.75	CAST IRON ADJ. COUPLING - 2 3/4" LONG
AC4	CAST IRON ADJ. COUPLING - 4" LONG
AC6	CAST IRON ADJ. COUPLING - 6" LONG

AutoCad.dwg