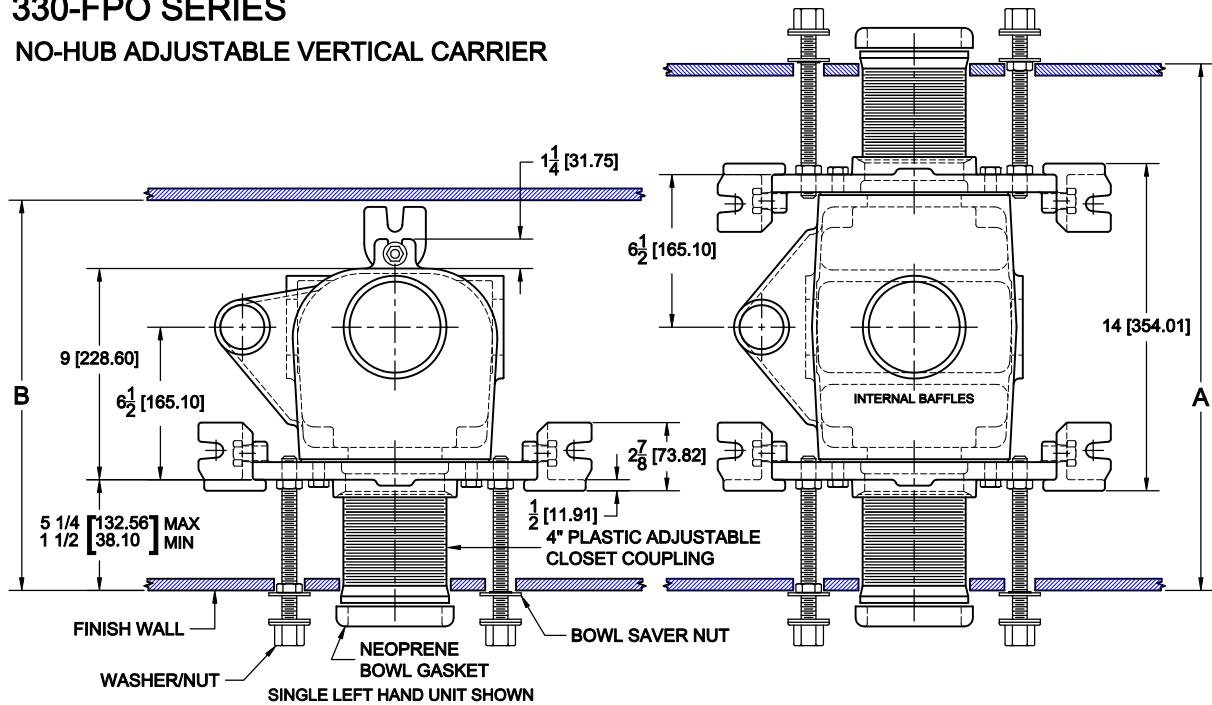


# CLOSET CARRIERS



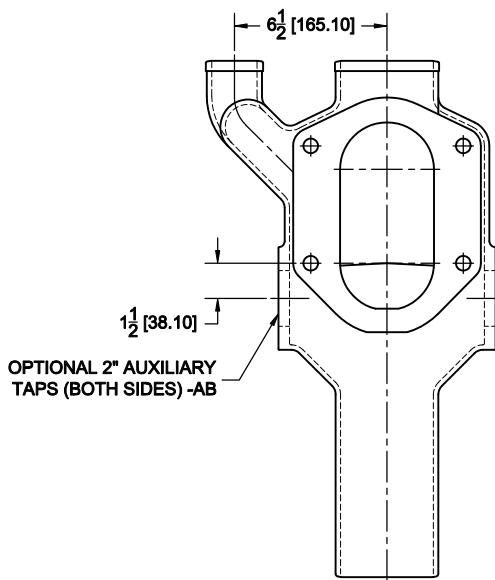
## 330-FPO SERIES

### NO-HUB ADJUSTABLE VERTICAL CARRIER



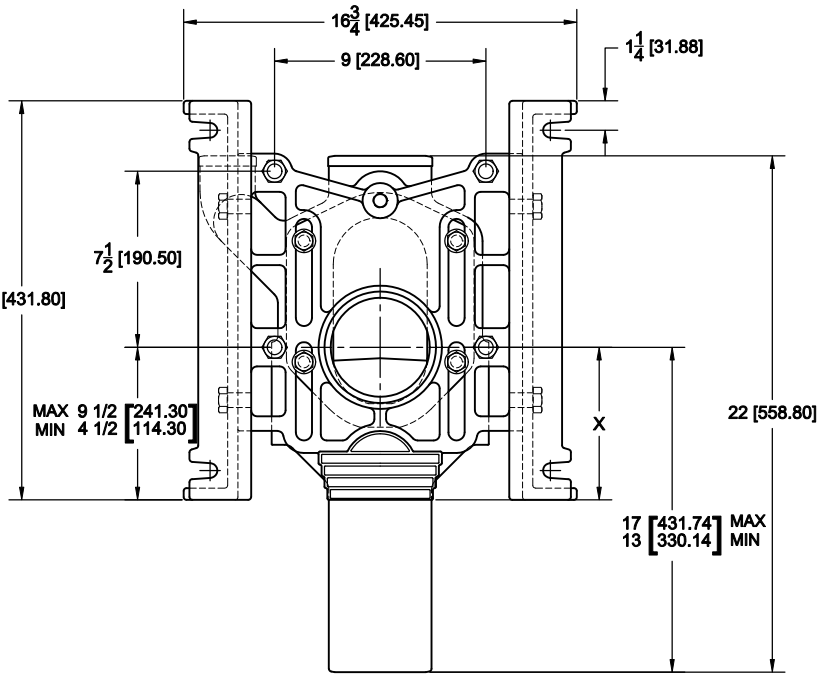
MINIMUM SPACE REQUIREMENTS	
A	B
16"	13"

\* MINIMUM USING COUPLING CUT TO 2"



OPTIONAL 2" AUXILIARY TAPS (BOTH SIDES) -AB

FITTING ONLY DETAIL



"X" DIMENSION SHOULD EQUAL FIXTURE ROUGH-IN HEIGHT  
LUGS ARE REMOVABLE IN 1/2" INCREMENTS

### OPTIONS

Cat.No.	Wt.Lb.
<input type="checkbox"/> 330-NL-FPO	115.0
<input type="checkbox"/> 330-NR-FPO	115.0
<input type="checkbox"/> 330-ND-FPO	210.0

Suffix	Description
<input type="checkbox"/> AP14	PLASTIC ADJ. COUPLING - 14" LONG
<input type="checkbox"/> AC2.75	CAST IRON ADJ. COUPLING - 2 3/4" LONG
<input type="checkbox"/> AC4	CAST IRON ADJ. COUPLING - 4" LONG
<input type="checkbox"/> AC6	CAST IRON ADJ. COUPLING - 6" LONG
<input type="checkbox"/> AM1	FLUSH VALVE PIPING SUPPORT
<input type="checkbox"/> AM21	TILING FRAME

AutoCad.dwg