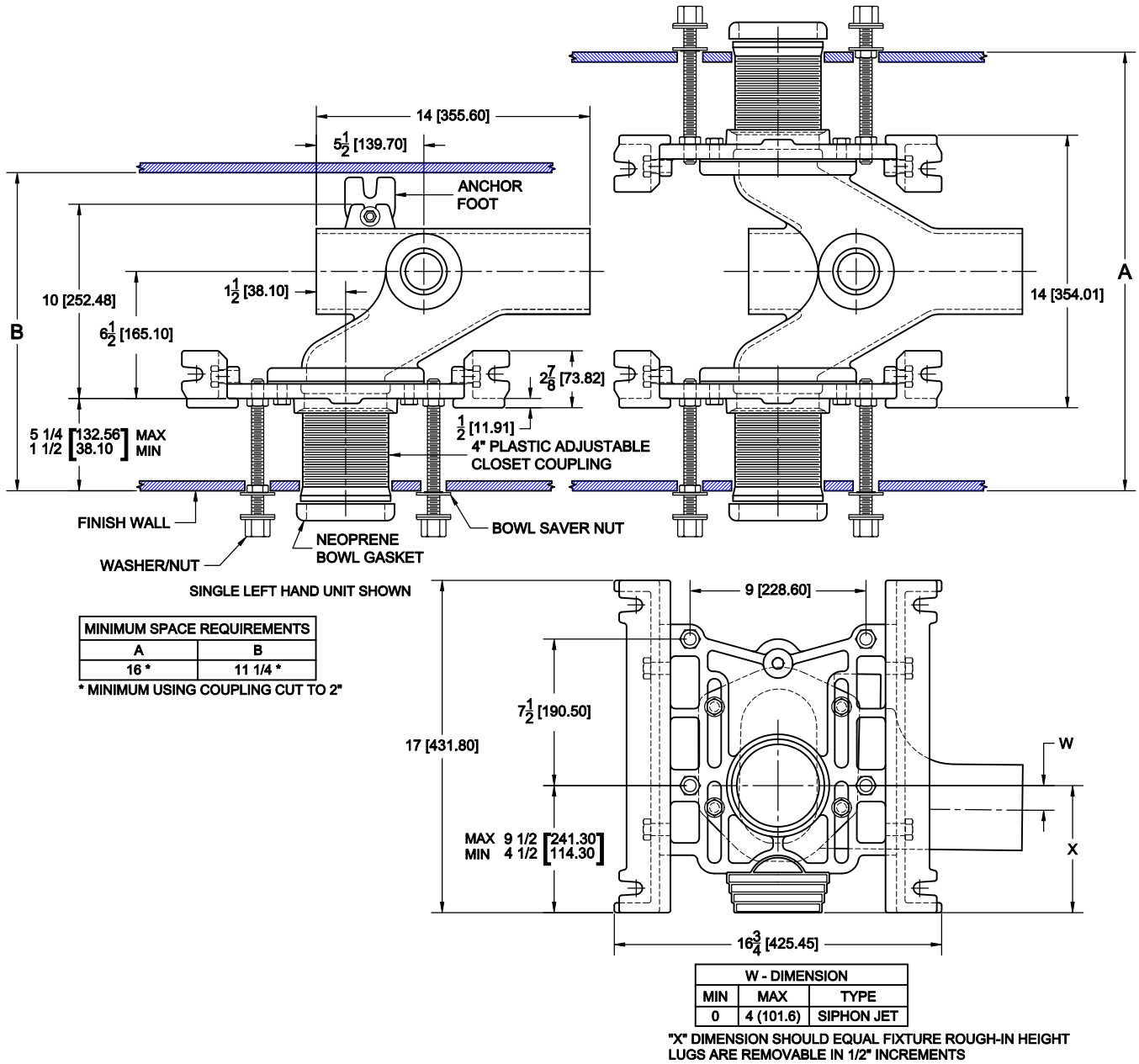


# CLOSET CARRIERS



## 310-FPO SERIES

NO-HUB ADJUSTABLE HORIZONTAL CARRIER



### OPTIONS

CAT.NO.	WT.LB.
<input type="checkbox"/> 310-NL-FPO	115.0
<input type="checkbox"/> 310-NR-FPO	115.0
<input type="checkbox"/> 310-ND-FPO	210.0

Suffix	Description
<input type="checkbox"/> AP14	PLASTIC ADJ. COUPLING - 14" LONG
<input type="checkbox"/> AC2.74	CAST IRON ADJ. COUPLING - 2 3/4" LONG
<input type="checkbox"/> AC4	CAST IRON ADJ. COUPLING - 4" LONG
<input type="checkbox"/> AC6	CAST IRON ADJ. COUPLING - 6" LONG
<input type="checkbox"/> AM1	FLUSH VALVE PIPING SUPPORT
<input type="checkbox"/> AM21	TILING FRAME