

# LARGE ROOF DRAIN

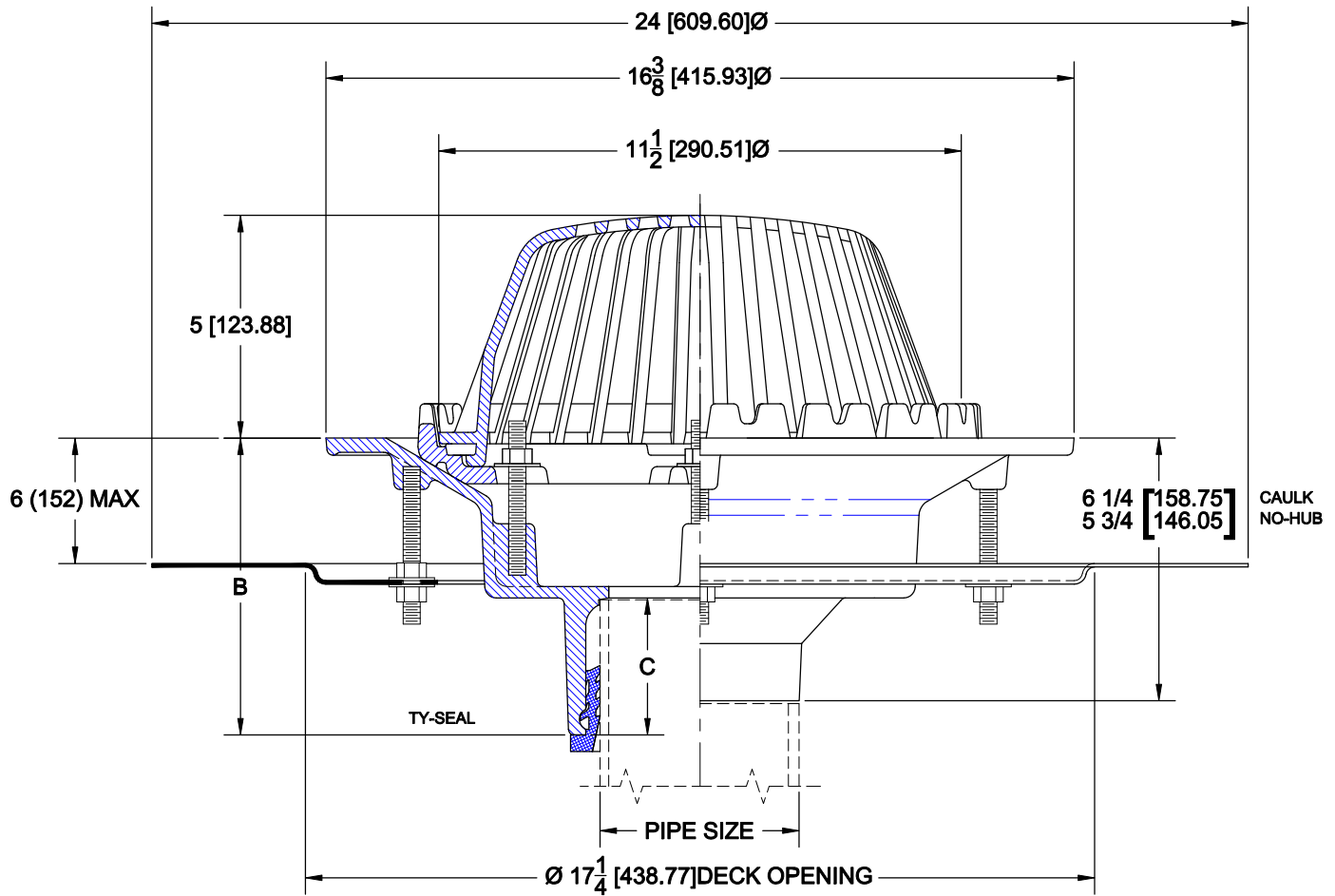


## 3000-EB

CAST IRON ROOF DRAIN WITH FLANGE, FLASHING RING INTEGRAL WITH GRAVEL STOP, ADJUSTABLE EXTENSION, PLASTIC MUSHROOM DOME, AND BOTTOM OUTLET.

CONFORMS TO ASME A112.21.2M

DOME FREE AREA - 113.5 SQ.IN.



| PIPE SIZE | B             | C            |
|-----------|---------------|--------------|
| 2         | 6 3/8 (161.9) | 2 1/2 (63.5) |
| 3         | 6 5/8 (168.3) | 2 3/4 (69.9) |
| 4         | 6 7/8 (174.6) | 3 (76.2)     |
| 6         | 6 3/8 (161.9) | 3 (76.2)     |

### OPTIONS

| Cat. No.                         | Pipe Size | Wt. Lbs. | Suffix                      | Description                |
|----------------------------------|-----------|----------|-----------------------------|----------------------------|
| <input type="checkbox"/> 3002-EB | 2 (50)    | 42.0     | <input type="checkbox"/> 3  | ROUGH BRONZE DOME          |
| <input type="checkbox"/> 3003-EB | 3 (75)    | 44.0     | <input type="checkbox"/> 39 | GALVANIZED CAST IRON PARTS |
| <input type="checkbox"/> 3004-EB | 4 (100)   | 45.0     | <input type="checkbox"/> 42 | CAST IRON DOME             |
| <input type="checkbox"/> 3005-EB | 5 (125)   | 47.0     | <input type="checkbox"/> 46 | ALUMINUM DOME              |
| <input type="checkbox"/> 3006-EB | 6 (150)   | 48.0     | <input type="checkbox"/> 52 | BEARING PAN                |
| <input type="checkbox"/> 3008-EB | 8 (200)   | 48.0     | <input type="checkbox"/> 53 | UNDER DECK CLAMP           |

### OUTLETS

|                             |               |                             |                |                             |                     |                              |                 |
|-----------------------------|---------------|-----------------------------|----------------|-----------------------------|---------------------|------------------------------|-----------------|
| <input type="checkbox"/> NH | NO-HUB (2-8") | <input type="checkbox"/> TY | TY-SEAL (2-6") | <input type="checkbox"/> IC | INSIDE CAULK (2-6") | <input type="checkbox"/> IPS | THREADED (2-8") |
|-----------------------------|---------------|-----------------------------|----------------|-----------------------------|---------------------|------------------------------|-----------------|

AutoCad.dwg