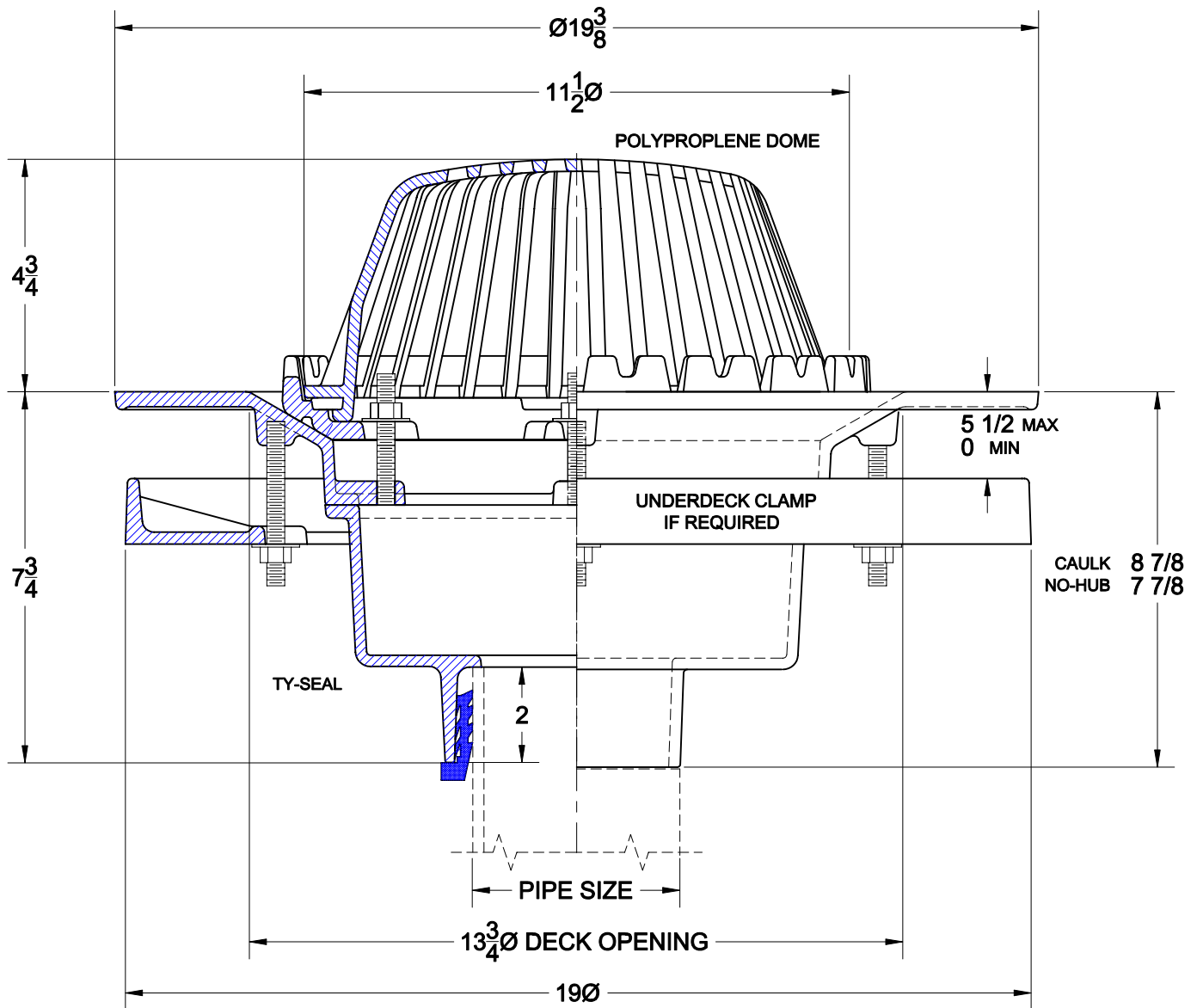


WIDE FLANGE ROOF DRAIN



3000-E

CAST IRON ROOF WITH WIDE FLANGE BODY, FLASHING RING INTEGRAL WITH GRAVEL STOP, POLYPROPYLENE PLASTIC DOME, AND BOTTOM OUTLET



OPTIONS

Cat. No.	Pipe Size	Wt. Lbs.	Suffix	Description
<input type="checkbox"/> 3002-E	2 (50)	135.0	<input type="checkbox"/> 3	ROUGH BRONZE DOME
<input type="checkbox"/> 3003-E	3 (75)	135.0	<input type="checkbox"/> 5	VANDAL PROOF
<input type="checkbox"/> 3004-E	4 (100)	135.0	<input type="checkbox"/> 39	GALVANIZED IRON PARTS
<input type="checkbox"/> 3006-E	6 (150)	135.0	<input type="checkbox"/> 42	CAST IRON DOME
<input type="checkbox"/> 3008-E	8 (200)	135.0	<input type="checkbox"/> 46	ALUMINUM DOME
			<input type="checkbox"/> 52	BEARING PAN (SUMP RECEIVER)
			<input type="checkbox"/> 53	UNDER DECK CLAMP

OUTLETS

<input type="checkbox"/> TY	TY-SEAL (2,3,4,6")	<input type="checkbox"/> NH	NO-HUB	<input type="checkbox"/> IC	INSIDE CAULK (3,4,6")
-----------------------------	--------------------	-----------------------------	--------	-----------------------------	-----------------------

AutoCad.dwg