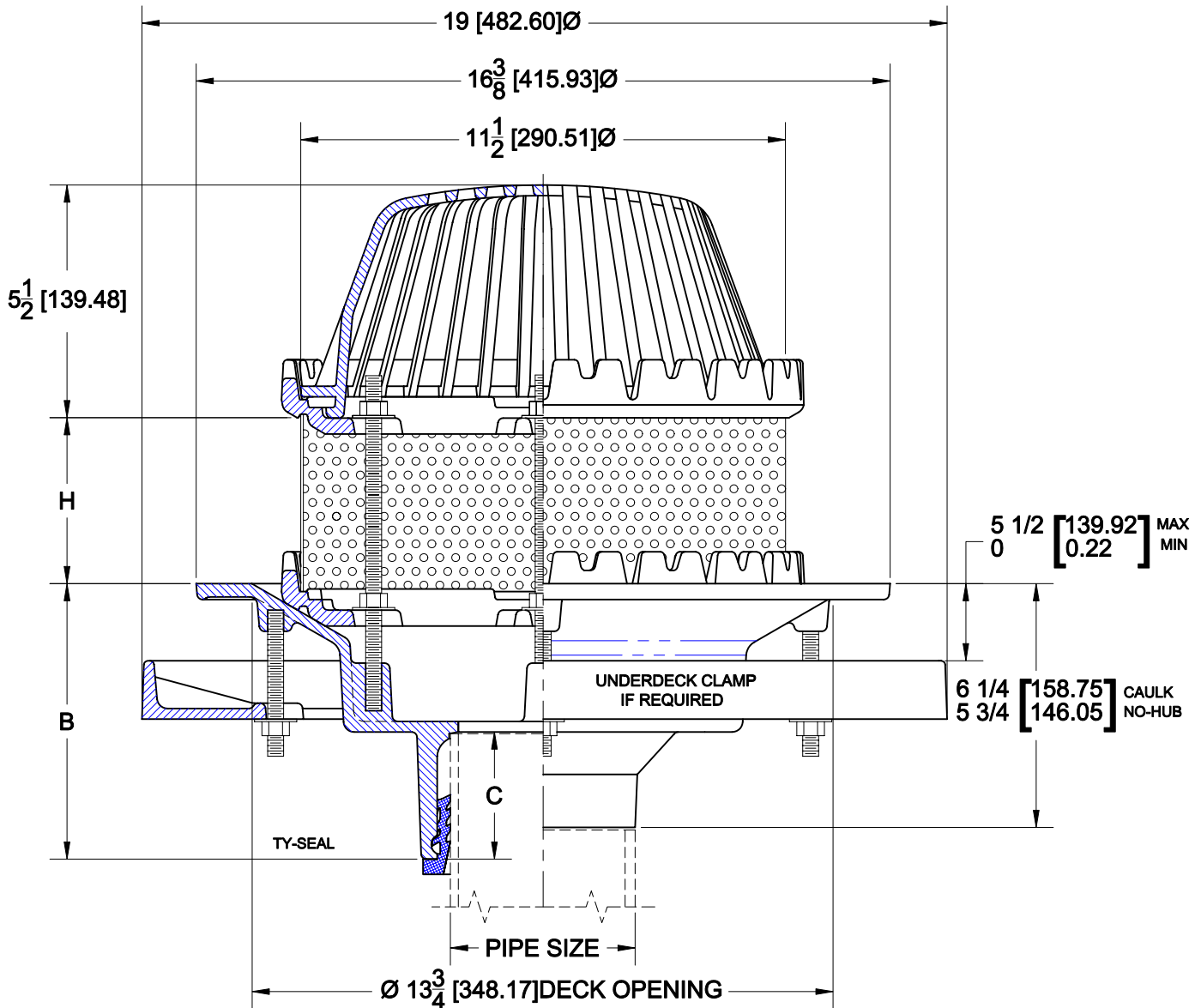


IRMA ROOF DRAIN



3000-DFS

CAST IRON ROOF DRAIN WITH FLANGE, FLASHING RING, EXTENDED S/S PERFORATED GRAVEL STOP, PLASTIC MUSHROOM DOME, AND BOTTOM OUTLET.



PIPE SIZE	B	C
2	6 3/8 (161.9)	2 1/2 (63.5)
3	6 5/8 (168.3)	2 3/4 (69.9)
4	6 7/8 (174.6)	3 (76.2)
6	6 3/8 (161.9)	3 (76.2)

SPECIFY 'H' DIMENSION

OPTIONS

Cat. No.	Pipe Size	Wt. Lbs.	Suffix	Description
<input type="checkbox"/> 3002-DFS	2 (50)	43.0	<input type="checkbox"/> 3	BRONZE DOME
<input type="checkbox"/> 3003-DFS	3 (75)	45.0	<input type="checkbox"/> 5	VANDAL PROOF
<input type="checkbox"/> 3004-DFS	4 (100)	46.0	<input type="checkbox"/> 39	GALVANIZED IRON PARTS
<input type="checkbox"/> 3005-DFS	5 (125)	48.0	<input type="checkbox"/> 42	CAST IRON DOME
<input type="checkbox"/> 3006-DFS	6 (150)	49.0	<input type="checkbox"/> 46	ALUMINUM DOME
<input type="checkbox"/> 3008-DFS	8 (200)	49.0	<input type="checkbox"/> 52	BEARING PAN (SUMP RECIEVER)
			<input type="checkbox"/> 53	UNDERDECK CLAMP

OUTLETS

<input type="checkbox"/> NH	NO-HUB	<input type="checkbox"/> TY	TY-SEAL	<input type="checkbox"/> IC	INSIDE CAULK	<input type="checkbox"/> IPS	THREADED
-----------------------------	--------	-----------------------------	---------	-----------------------------	--------------	------------------------------	----------

AutoCad.dwg