

# LARGE ROOF DRAIN

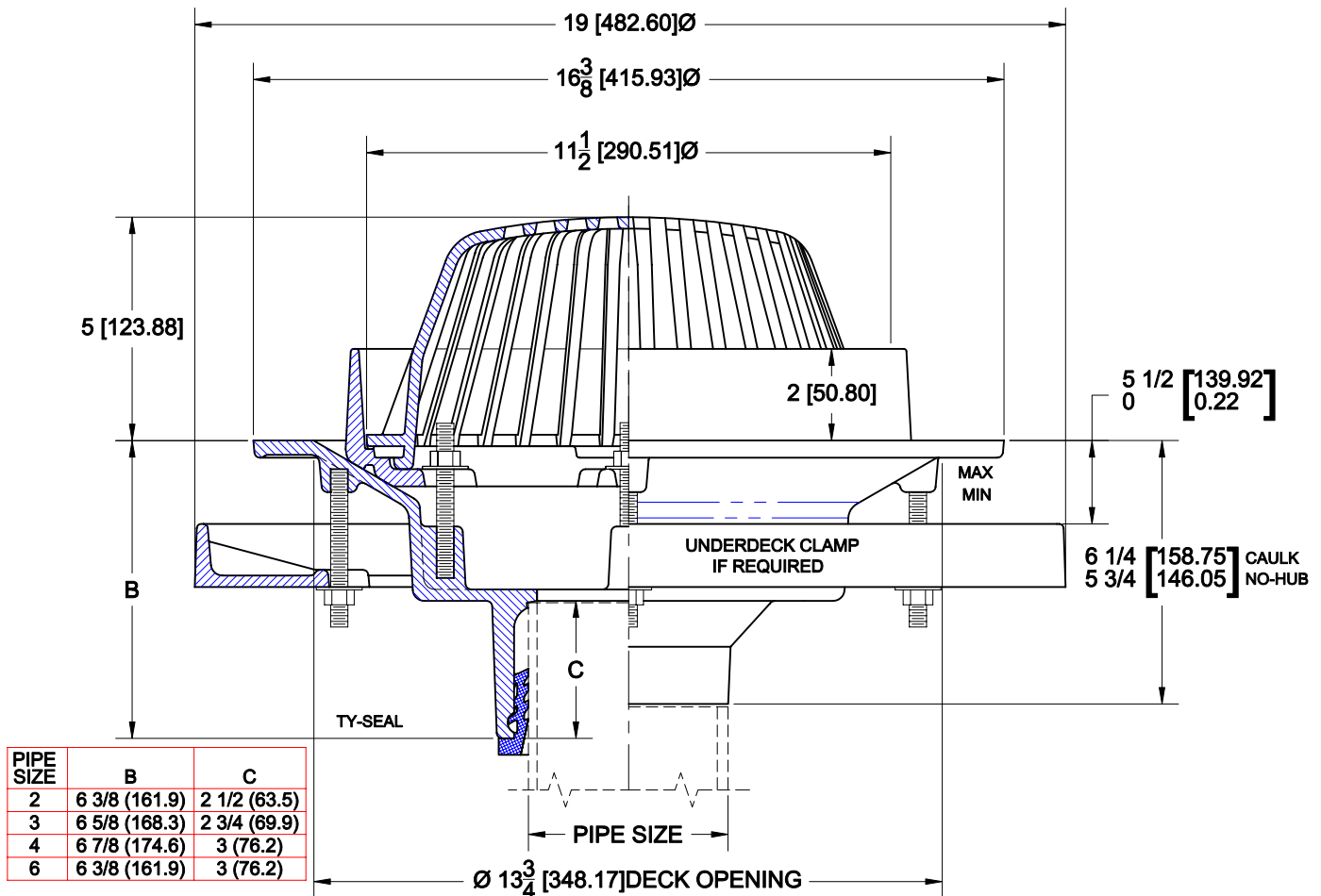


## 3000-D

CAST IRON ROOF DRAIN WITH FLANGE, FLASHING RING INTEGRAL WITH GRAVEL STOP, 2" HIGH INTEGRAL DAM, PLASTIC MUSHROOM DOME, AND BOTTOM OUTLET.

CONFORMS TO ASME A112.21.2M

DOME FREE AREA - 113.5 SQ.IN.



### OPTIONS

Cat. No.	Pipe Size	Wt. Lbs.	Suffix	Description
<input type="checkbox"/> 3002-D	2 (50)	42.0	<input type="checkbox"/> 3	ROUGH BRONZE DOME
<input type="checkbox"/> 3003-D	3 (75)	44.0	<input type="checkbox"/> 39	GALVANIZED CAST IRON PARTS
<input type="checkbox"/> 3004-D	4 (100)	45.0	<input type="checkbox"/> 42	CAST IRON DOME
<input type="checkbox"/> 3005-D	5 (125)	47.0	<input type="checkbox"/> 46	ALUMINUM DOME
<input type="checkbox"/> 3006-D	6 (150)	48.0	<input type="checkbox"/> 52	BEARING PAN
<input type="checkbox"/> 3008-D	8 (200)	48.0	<input type="checkbox"/> 53	UNDER DECK CLAMP

### OUTLETS

<input type="checkbox"/> NH	NO-HUB (2-8")	<input type="checkbox"/> TY	TY-SEAL (2-6")	<input type="checkbox"/> IC	INSIDE CAULK (2-6")	<input type="checkbox"/> IPS	THREADED (2-8")
-----------------------------	------------------	-----------------------------	-------------------	-----------------------------	------------------------	------------------------------	--------------------

AutoCad.dwg