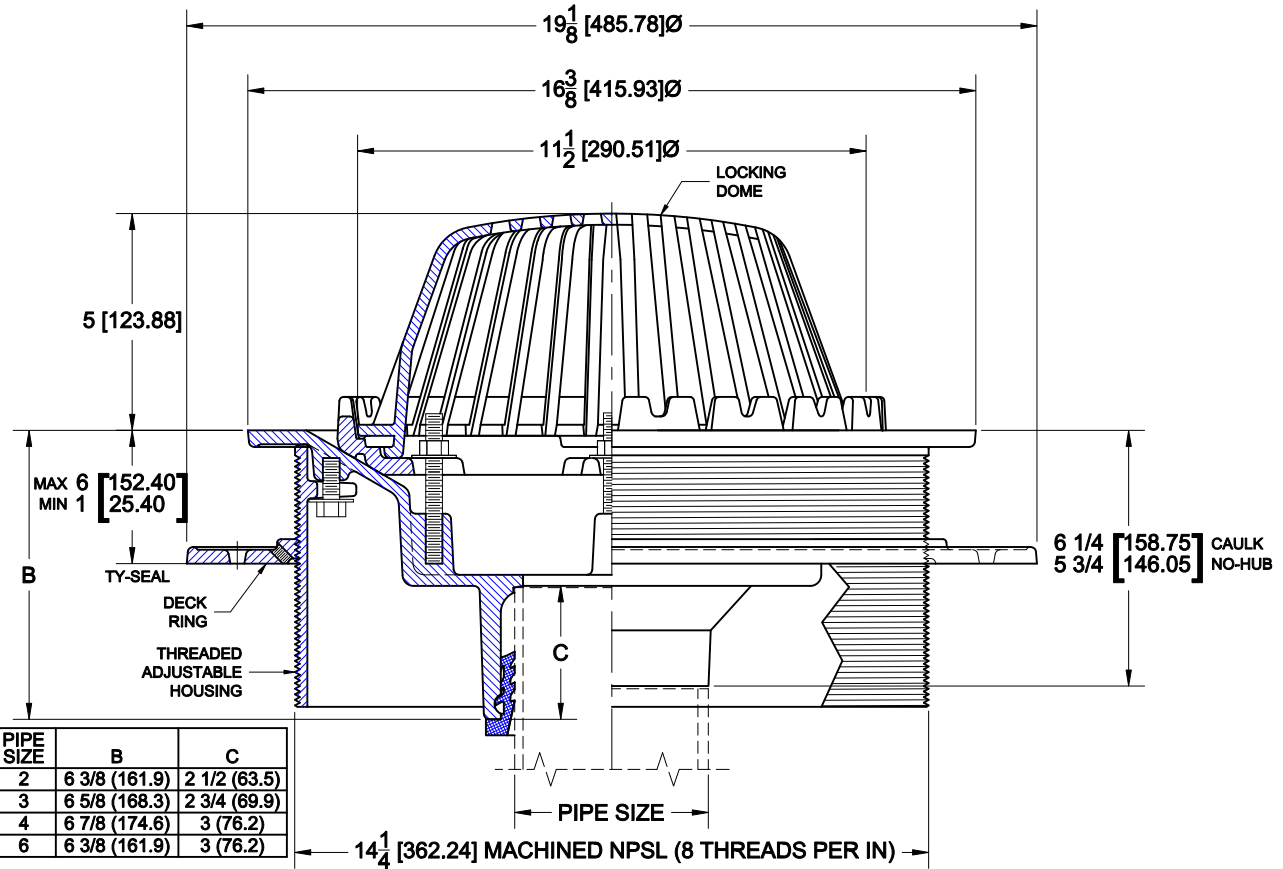


ADJUSTABLE ROOF DRAIN

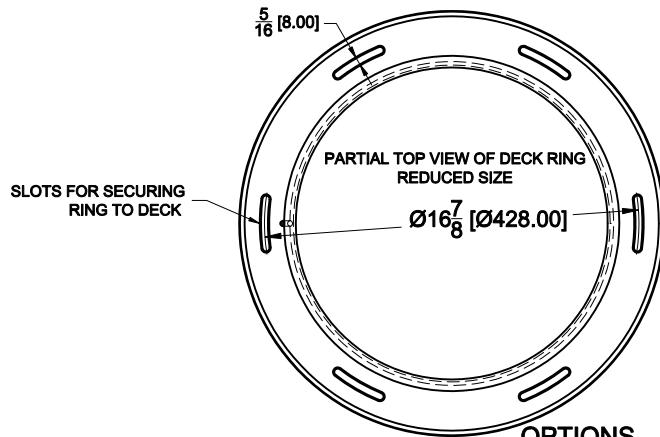


3000-AE

CAST IRON ROOF DRAIN WITH POLY LOCKING DOME, FLASHING RING INTEGRAL WITH GRAVEL STOP, DECK RING WITH WIDE FLANGE, THREADED ADJUSTABLE COLLAR, AND BOTTOM OUTLET.



PIPE SIZE	B	C
2	6 3/8 (161.9)	2 1/2 (63.5)
3	6 5/8 (168.3)	2 3/4 (69.9)
4	6 7/8 (174.6)	3 (76.2)
6	6 3/8 (161.9)	3 (76.2)



OPTIONS

Cat. No.	Pipe Size	Wt. Lbs.	Suffix	Description
<input type="checkbox"/> 3002-AE	2	84.0	<input type="checkbox"/> 3	BRONZE LOCKING DOME
<input type="checkbox"/> 3003-AE	3	84.5	<input type="checkbox"/> 5	VANDAL PROOF (SECURED DOME)
<input type="checkbox"/> 3004-AE	4	84.5	<input type="checkbox"/> 39	GALVANIZED IRON PARTS
<input type="checkbox"/> 3005-AE	5	85.0	<input type="checkbox"/> 42	CAST IRON LOCKING DOME
<input type="checkbox"/> 3006-AE	6	85.5	<input type="checkbox"/> 46	ALUMINUM LOCKING DOME
<input type="checkbox"/> 3008-AE	8	85.5		

OUTLETS

<input type="checkbox"/> NH	<input type="checkbox"/> NO-HUB	<input type="checkbox"/> TY	<input type="checkbox"/> TY-SEAL	<input type="checkbox"/> IC	<input type="checkbox"/> INSIDE CAULK	<input type="checkbox"/> IPS	<input type="checkbox"/> THREADED
-----------------------------	---------------------------------	-----------------------------	----------------------------------	-----------------------------	---------------------------------------	------------------------------	-----------------------------------

AutoCad.dwg