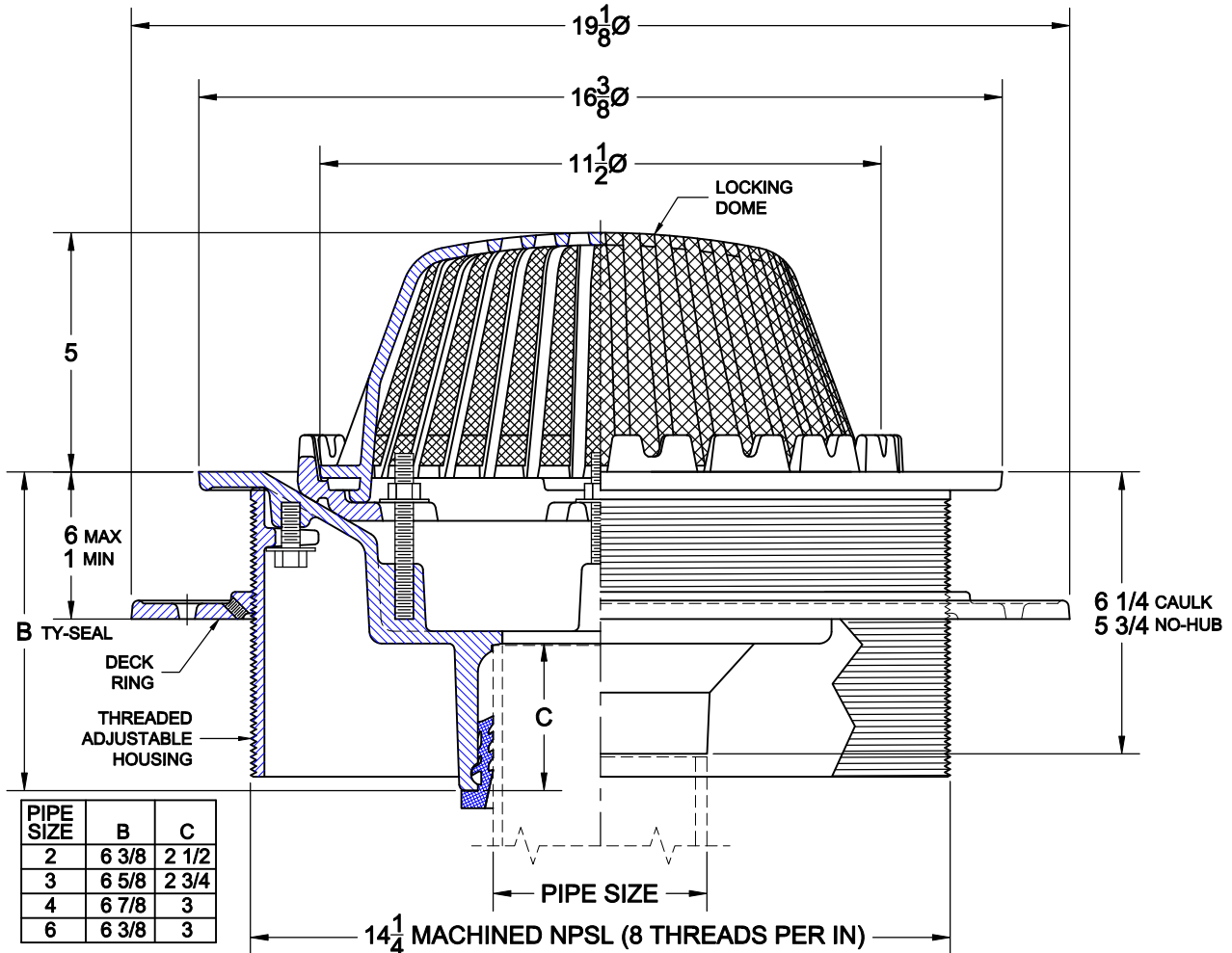


# ADJUSTABLE ROOF DRAIN

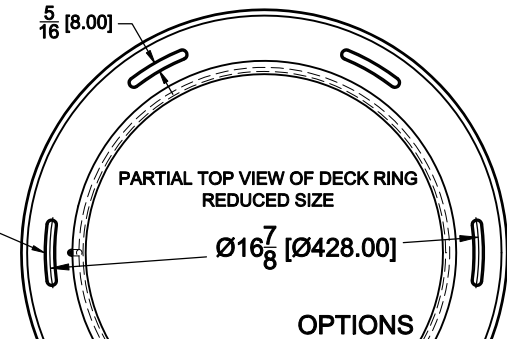


## 3000-AE-50

CAST IRON ROOF DRAIN WITH POLY LOCKING DOME, FLASHING RING INTEGRAL WITH GRAVEL STOP, DECK RING WITH WIDE FLANGE, THREADED ADJUSTABLE COLLAR, S/S MESH LINED DOME AND BOTTOM OUTLET.



PIPE SIZE	B	C
2	6 3/8	2 1/2
3	6 5/8	2 3/4
4	6 7/8	3
6	6 3/8	3



Cat. No.	Pipe Size	Wt. Lbs.	Suffix	Description
<input type="checkbox"/> 3002-AE-50	2	84.0	<input type="checkbox"/> 3	BRONZE LOCKING DOME
<input type="checkbox"/> 3003-AE-50	3	84.5	<input type="checkbox"/> 5	VANDAL PROOF (SECURED DOME)
<input type="checkbox"/> 3004-AE-50	4	84.5	<input type="checkbox"/> 39	GALVANIZED IRON PARTS
<input type="checkbox"/> 3005-AE-50	5	85.0	<input type="checkbox"/> 42	CAST IRON LOCKING DOME
<input type="checkbox"/> 3006-AE-50	6	85.5	<input type="checkbox"/> 46	ALUMINUM LOCKING DOME
<input type="checkbox"/> 3008-AE-50	8	85.5		

**OUTLETS**

<input type="checkbox"/> NH	NO-HUB	<input type="checkbox"/> TY	TY-SEAL	<input type="checkbox"/> IC	INSIDE CAULK	<input type="checkbox"/> IPS	THREADED
-----------------------------	--------	-----------------------------	---------	-----------------------------	--------------	------------------------------	----------

Approval Date  
 Customer Approval  
 Job Location  
 Job Name  
 Dimensional Data (inches/mm) are Subject to Manufacturers Tolerance and Change Without Notice.  
 Wade Division / Tyler Pipe Assumes No Responsibility For Superseded or Voided Data

AutoCad.dwg