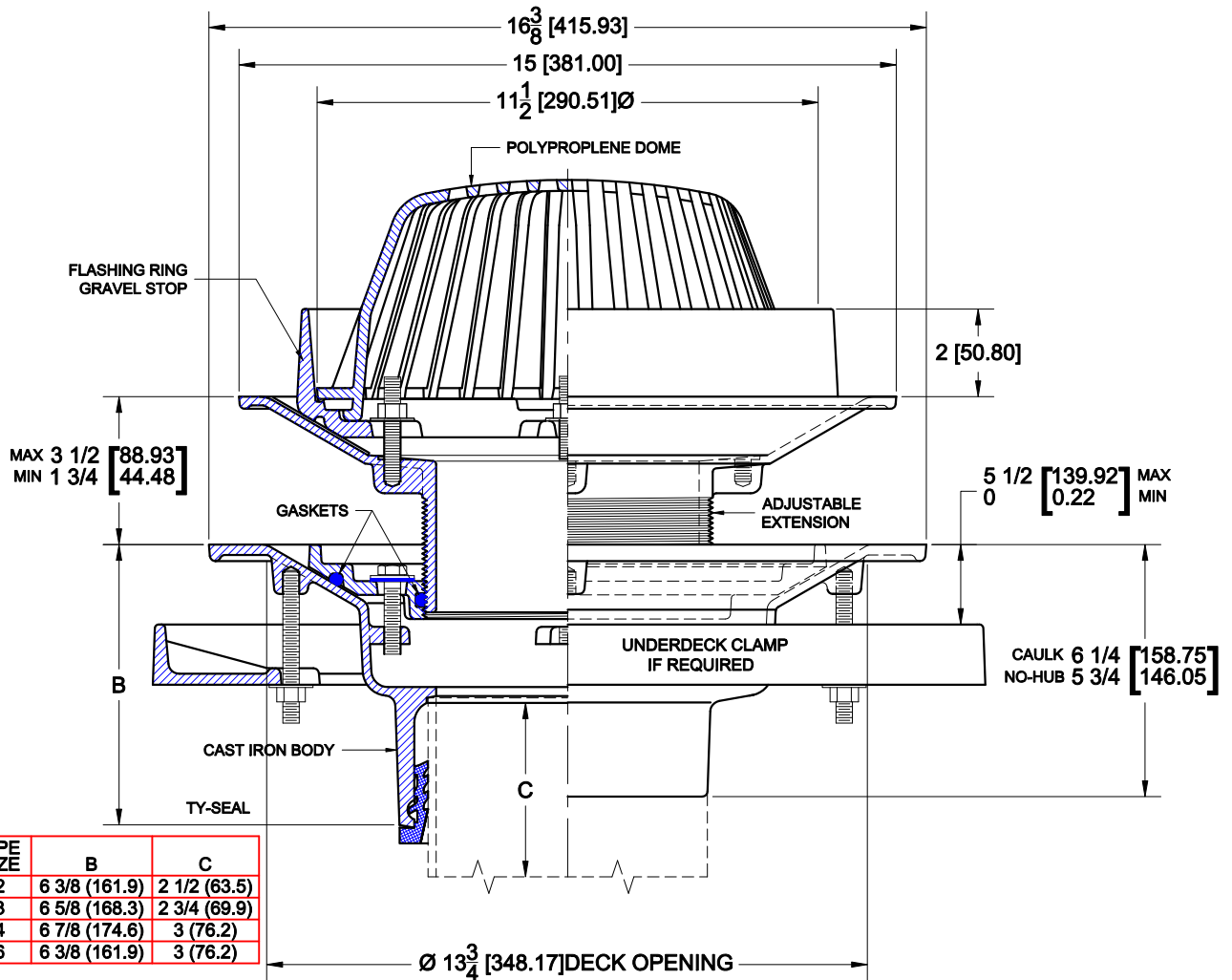


ADJUSTABLE ROOF DRAIN



3000-ADF-D

CAST IRON ROOF DRAIN WITH POLY LOCKING DOME, FLASHING RING INTEGRAL WITH GRAVEL STOP, THREADED ADJUSTABLE EXTENSION WITH O-RING SEALS, SECONDARY CLAMPING COLLAR, ZINC PLATED HARDWARE, 2" HIGH DAM AND BOTTOM OUTLET.



PIPE SIZE	B	C
2	6 3/8 (161.9)	2 1/2 (63.5)
3	6 5/8 (168.3)	2 3/4 (69.9)
4	6 7/8 (174.6)	3 (76.2)
6	6 3/8 (161.9)	3 (76.2)

			OPTIONS				
Cat. No.	Pipe Size	Wt. Lbs.	Suffix	Description			
<input type="checkbox"/> 3002-ADF-D	2 (50)	84.0	<input type="checkbox"/> 3	BRONZE LOCKING DOME			
<input type="checkbox"/> 3003-ADF-D	3 (75)	84.5	<input type="checkbox"/> 5	VANDAL PROOF (SECURED DOME)			
<input type="checkbox"/> 3004-ADF-D	4 (100)	84.5	<input type="checkbox"/> 39	GALVANIZED IRON PARTS			
<input type="checkbox"/> 3005-ADF-D	5 (125)	85.0	<input type="checkbox"/> 42	CAST IRON LOCKING DOME			
<input type="checkbox"/> 3006-ADF-D	6 (150)	85.5	<input type="checkbox"/> 46	ALUMINUM LOCKING DOME			
			<input type="checkbox"/> 52	BEARING PAN			
			<input type="checkbox"/> 53	UNDERDECK CLAMP			
OUTLETS							
<input type="checkbox"/> NH	NO-HUB	<input type="checkbox"/> TY	TY-SEAL	<input type="checkbox"/> IC	INSIDE CAULK	<input type="checkbox"/> IPS	THREADED

AutoCad.dwg

Approval Date: _____
 Customer Approval: _____
 Job Location: _____
 Job Name: _____
 Dimensional Data (Inches/mm) are Subject to Manufacturers Tolerance and Change Without Notice. Wade Division / Tyler Pipe Assumes No Responsibility For Superseded or Voided Data