

LARGE ROOF DRAIN

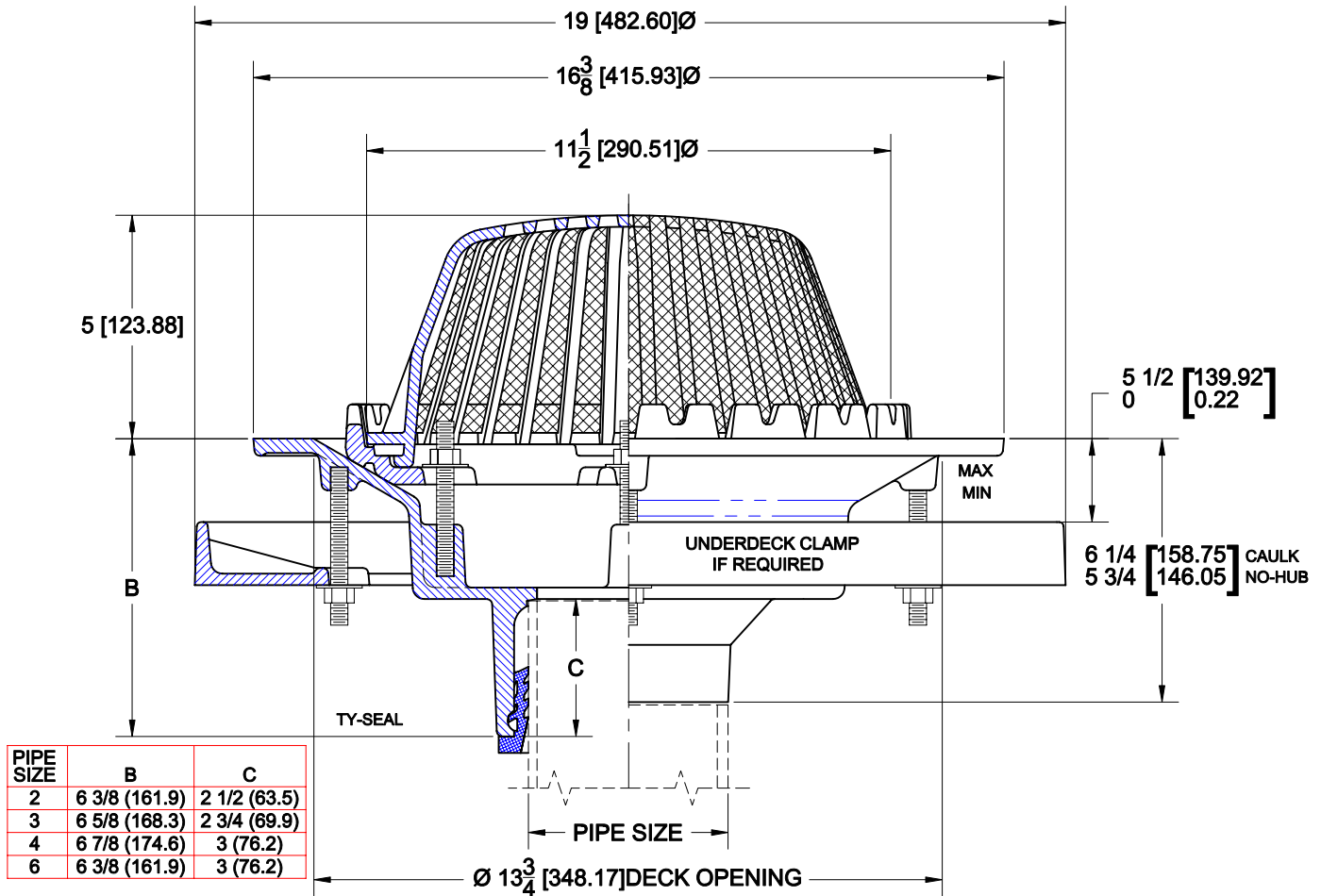


3000-50

CAST IRON ROOF DRAIN WITH FLANGE, FLASHING RING INTEGRAL WITH GRAVEL STOP, S/S MESH LINED POLY MUSHROOM DOME, AND BOTTOM OUTLET.



DOME FREE AREA = 113.5 SQ.IN.



OPTIONS

Cat. No.	Pipe Size	Wt. Lbs.	Suffix	Description
<input type="checkbox"/> 3002-50	2 (50)	42.0	<input type="checkbox"/> 3	ROUGH BRONZE DOME
<input type="checkbox"/> 3003-50	3 (75)	44.0	<input type="checkbox"/> 39	GALVANIZED CAST IRON PARTS
<input type="checkbox"/> 3004-50	4 (100)	45.0	<input type="checkbox"/> 42	CAST IRON DOME
<input type="checkbox"/> 3005-50	5 (125)	47.0	<input type="checkbox"/> 46	ALUMINUM DOME
<input type="checkbox"/> 3006-50	6 (150)	48.0	<input type="checkbox"/> 52	BEARING PAN
<input type="checkbox"/> 3008-50	8 (200)	48.0	<input type="checkbox"/> 53	UNDER DECK CLAMP

OUTLETS

<input type="checkbox"/> NH	NO-HUB (2-8")	<input type="checkbox"/> TY	TY-SEAL (2-6")	<input type="checkbox"/> IC	INSIDE CAULK (2-6")	<input type="checkbox"/> IPS	THREADED (2-8")
-----------------------------	---------------	-----------------------------	----------------	-----------------------------	---------------------	------------------------------	-----------------

AutoCad.dwg