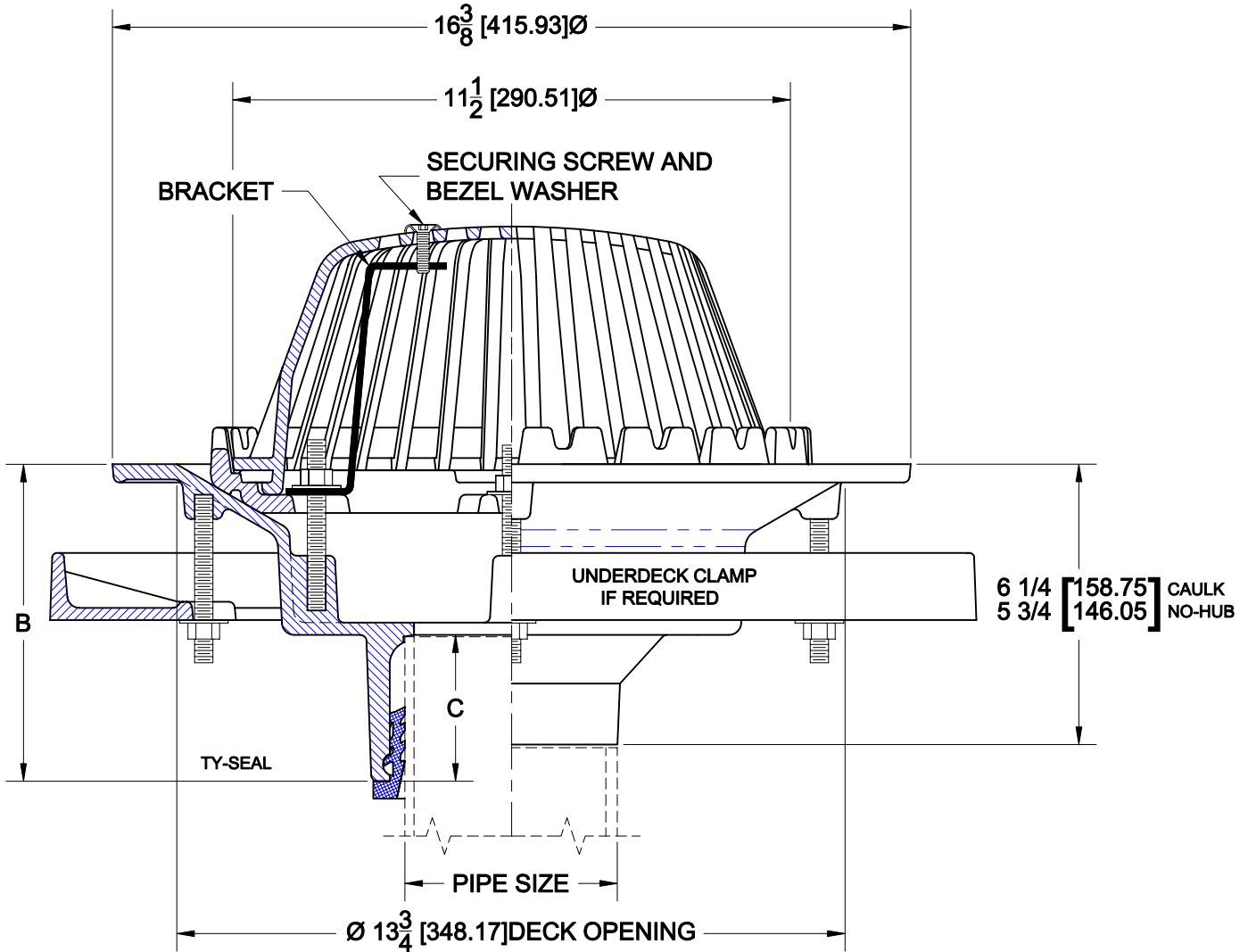


# LARGE ROOF DRAIN



3000-5

VANDAL PROOF KIT - FOR SECURING ROOF DRAIN DOME.  
INSTALLATION INSTRUCTIONS.



PIPE SIZE	B	C
2	6 3/8 (161.9)	2 1/2 (63.5)
3	6 5/8 (168.3)	2 3/4 (69.9)
4	6 7/8 (174.6)	3 (76.2)
6	6 3/8 (161.9)	3 (76.2)

## INSTALLATION INSTRUCTIONS

1. COMPLETE ROOF DRAIN INSTALLATION. WITH DOME REMOVED, SECURE BRACKET UNDER ONE OF THE FOUR MEMBRANE CLAMP SECURING NUTS.
2. PLACE DOME INTO POSITION, ALIGNING A TOP SLOT WITH THE TAPPED HOLE IN THE BRACKET.
3. SECURE WITH FLAT HEAD SOCKET SCREW AND BEZEL WASHER.

NOTE: BRACKET MAY BE SWIVELED TO ALIGN WITH A SLOT IN TOP OF DOME.