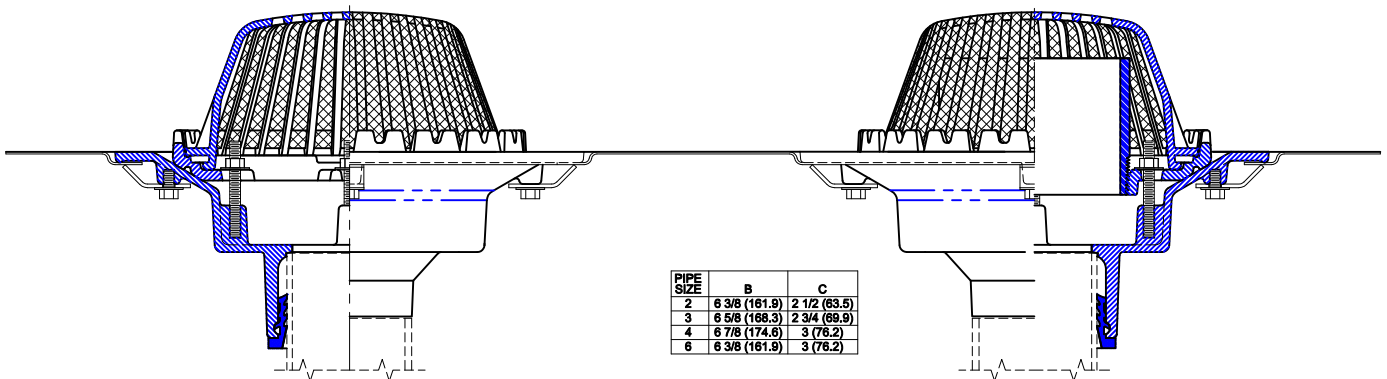
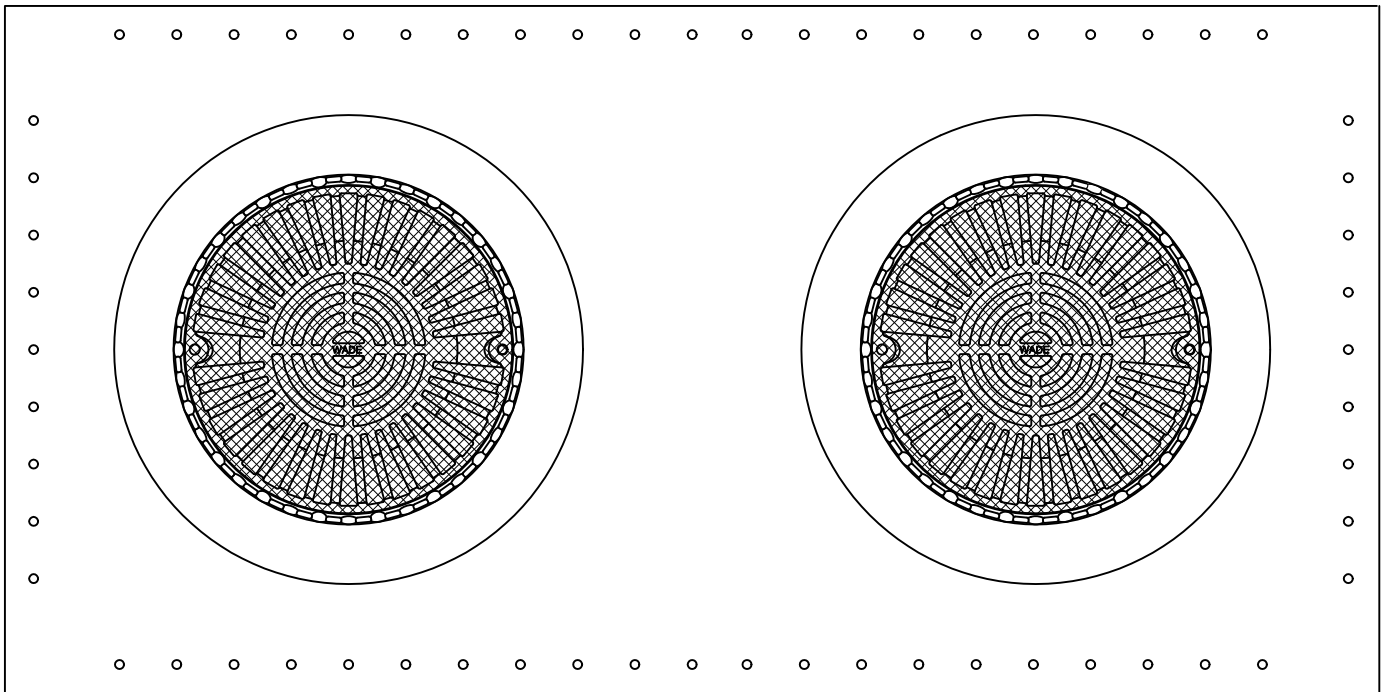


COMBINATION ROOF DRAIN



3000-46-50-198

CAST IRON COMBINATION ROOF & OVERFLOW DRAIN WITH FLANGE, FLASHING RING INTEGRAL WITH GRAVEL STOP, ALUMINUM DOMES W/ S/S MESH, BEARING PAN AND BOTTOM OUTLET.



PIPE SIZE	B	C
2	6 3/8 (161.9)	2 1/2 (63.5)
3	6 5/8 (168.3)	2 3/4 (69.9)
4	6 7/8 (174.6)	3 (76.2)
6	6 3/8 (161.9)	3 (76.2)

OPTIONS

Cat. No.	Pipe Size	Wt. Lbs.
<input type="checkbox"/> 3002-46-50198	2 (50)	42.0
<input type="checkbox"/> 3003-46-50-198	3 (75)	44.0
<input type="checkbox"/> 3004-46-50-198	4 (100)	45.0
<input type="checkbox"/> 3005-46-50-198	5 (125)	47.0
<input type="checkbox"/> 3006-46-50-198	6 (150)	48.0
<input type="checkbox"/> 3008-46-50-198	8 (200)	48.0

Suffix	Description
<input type="checkbox"/> 5	VANDAL PROOF DOMES
<input type="checkbox"/> 39	GALVAVIZED CAST IRON PARTS

OUTLETS

<input type="checkbox"/> NH	NO-HUB (2-8")	<input type="checkbox"/> TY	TY-SEAL (2-6")	<input type="checkbox"/> IC	INSIDE CAULK (2-6")	<input type="checkbox"/> IPS	THREADED (2-8")
-----------------------------	------------------	-----------------------------	-------------------	-----------------------------	------------------------	------------------------------	--------------------

AutoCad.dwg