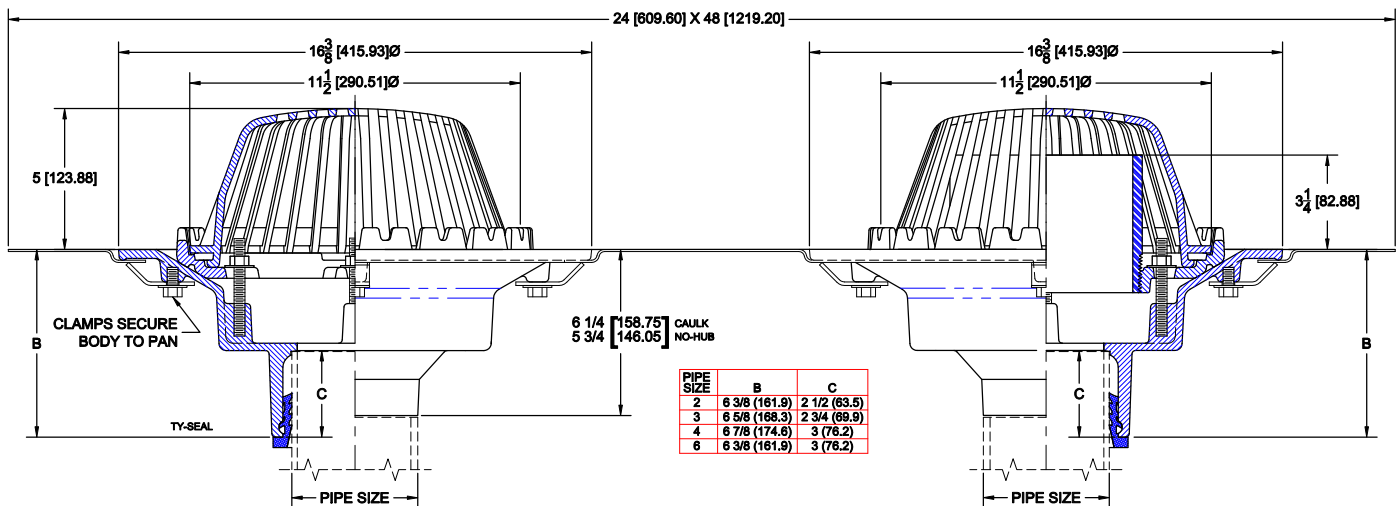
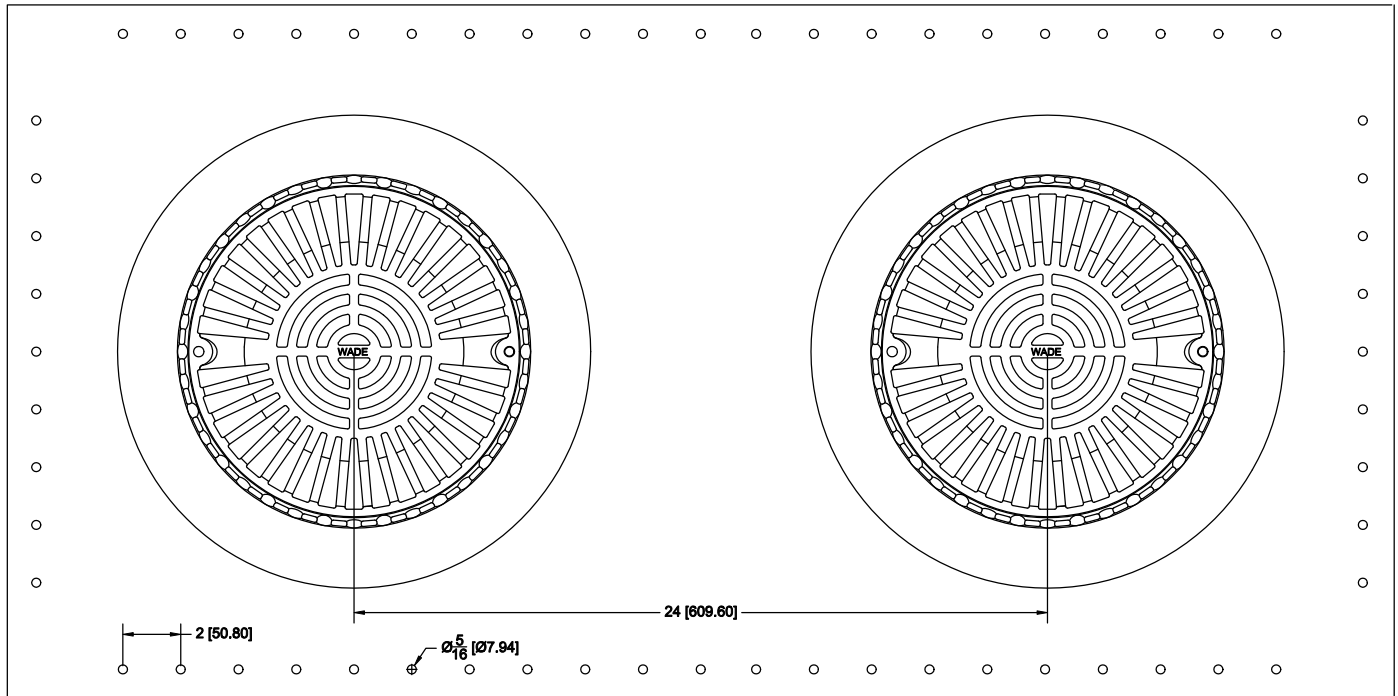


# COMBINATION ROOF DRAIN



3000-198

CAST IRON COMBINATION ROOF & OVERFLOW DRAIN WITH FLANGE, FLASHING RING INTEGRAL WITH GRAVEL STOP, PLASTIC MUSHROOM DOMES, BEARING PAN W/ SECURING PACKAGE AND BOTTOM OUTLET.



## OPTIONS

Cat. No.	Pipe Size	Wt. Lbs.	Suffix	Description
<input type="checkbox"/> 3002-198	2 (50)	42.0	<input type="checkbox"/> 3	ROUGH BRONZE DOME
<input type="checkbox"/> 3003-198	3 (75)	44.0	<input type="checkbox"/> 39	GALVAVIZED CAST IRON PARTS
<input type="checkbox"/> 3004-198	4 (100)	45.0	<input type="checkbox"/> 42	CAST IRON DOME
<input type="checkbox"/> 3005-198	5 (125)	47.0	<input type="checkbox"/> 46	ALUMINUM DOME
<input type="checkbox"/> 3006-198	6 (150)	48.0	<input type="checkbox"/> 52	BEARING PAN
<input type="checkbox"/> 3008-198	8 (200)	48.0	<input type="checkbox"/> 53	UNDER DECK CLAMP

## OUTLETS

<input type="checkbox"/> NH	NO-HUB (2-8")	<input type="checkbox"/> TY	TY-SEAL (2-6")	<input type="checkbox"/> IC	INSIDE CAULK (2-6")	<input type="checkbox"/> IPS	THREADED (2-8")
-----------------------------	---------------	-----------------------------	----------------	-----------------------------	---------------------	------------------------------	-----------------

AutoCad.dwg

7-9-07

Tyler Pipe / Wade Division \* P.O. Box 2027 \* Tyler, TX 75710-2027 \* (903)882-5511 \* FAX (888)879-9233

A-30247