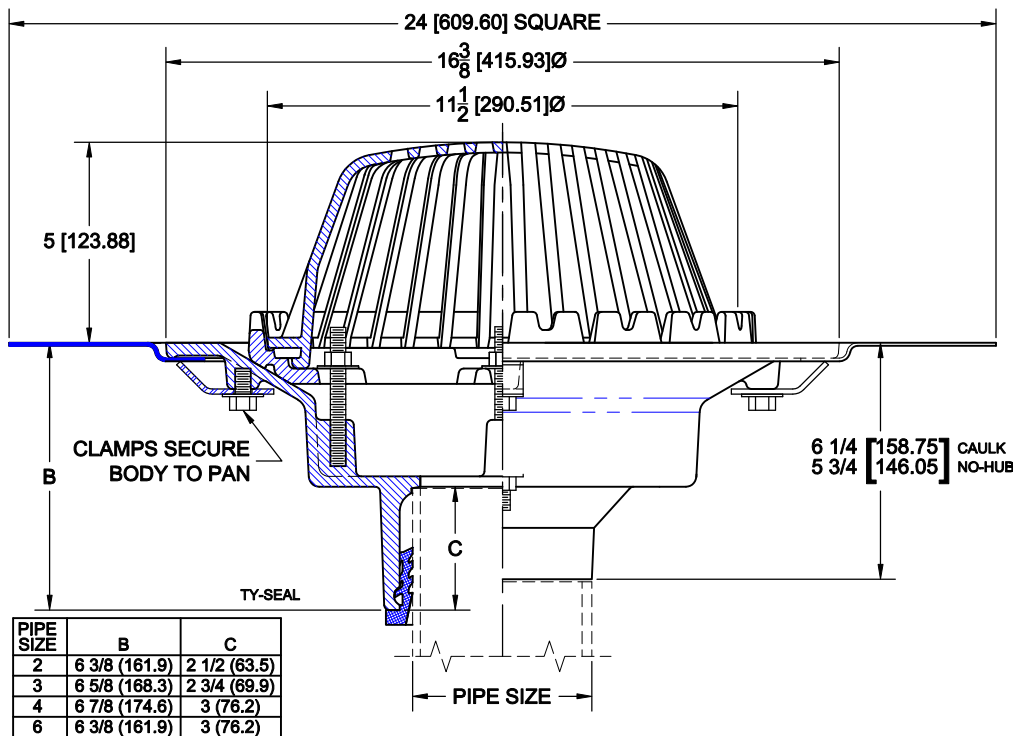
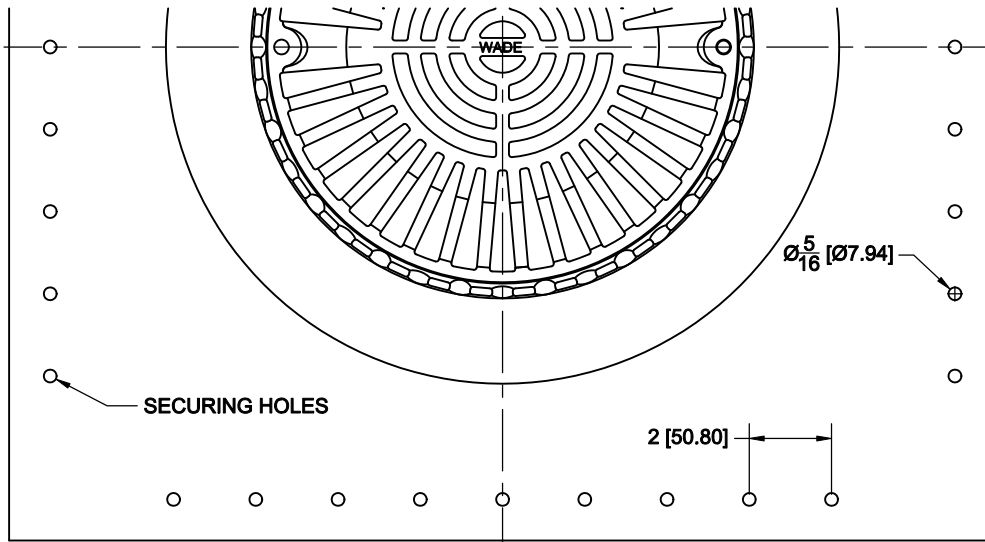


# LARGE ROOF DRAIN



3000-189

CAST IRON ROOF DRAIN WITH FLANGE, FLASHING RING INTEGRAL WITH GRAVEL STOP, PLASTIC MUSHROOM DOME, BEARING PAN DECK SECURING PACKAGE AND BOTTOM OUTLET.



## OPTIONS

Cat. No.	Pipe Size	Wt. Lbs.	Suffix	Description
<input type="checkbox"/> 3002-189	2 (50)	42.0	<input type="checkbox"/> 3	ROUGH BRONZE DOME
<input type="checkbox"/> 3003-189	3 (75)	44.0	<input type="checkbox"/> 39	GALVANIZED CAST IRON PARTS
<input type="checkbox"/> 3004-189	4 (100)	45.0	<input type="checkbox"/> 42	CAST IRON DOME
<input type="checkbox"/> 3005-189	5 (125)	47.0	<input type="checkbox"/> 46	ALUMINUM DOME
<input type="checkbox"/> 3006-189	6 (150)	48.0		
<input type="checkbox"/> 3008-189	8 (200)	48.0		

## OUTLETS

<input type="checkbox"/> NH	NO-HUB (2-8")	<input type="checkbox"/> TY	TY-SEAL (2-6")	<input type="checkbox"/> IC	INSIDE CAULK (2-6")	<input type="checkbox"/> IPS	THREADED (2-8")
-----------------------------	---------------	-----------------------------	----------------	-----------------------------	---------------------	------------------------------	-----------------

AutoCad.dwg