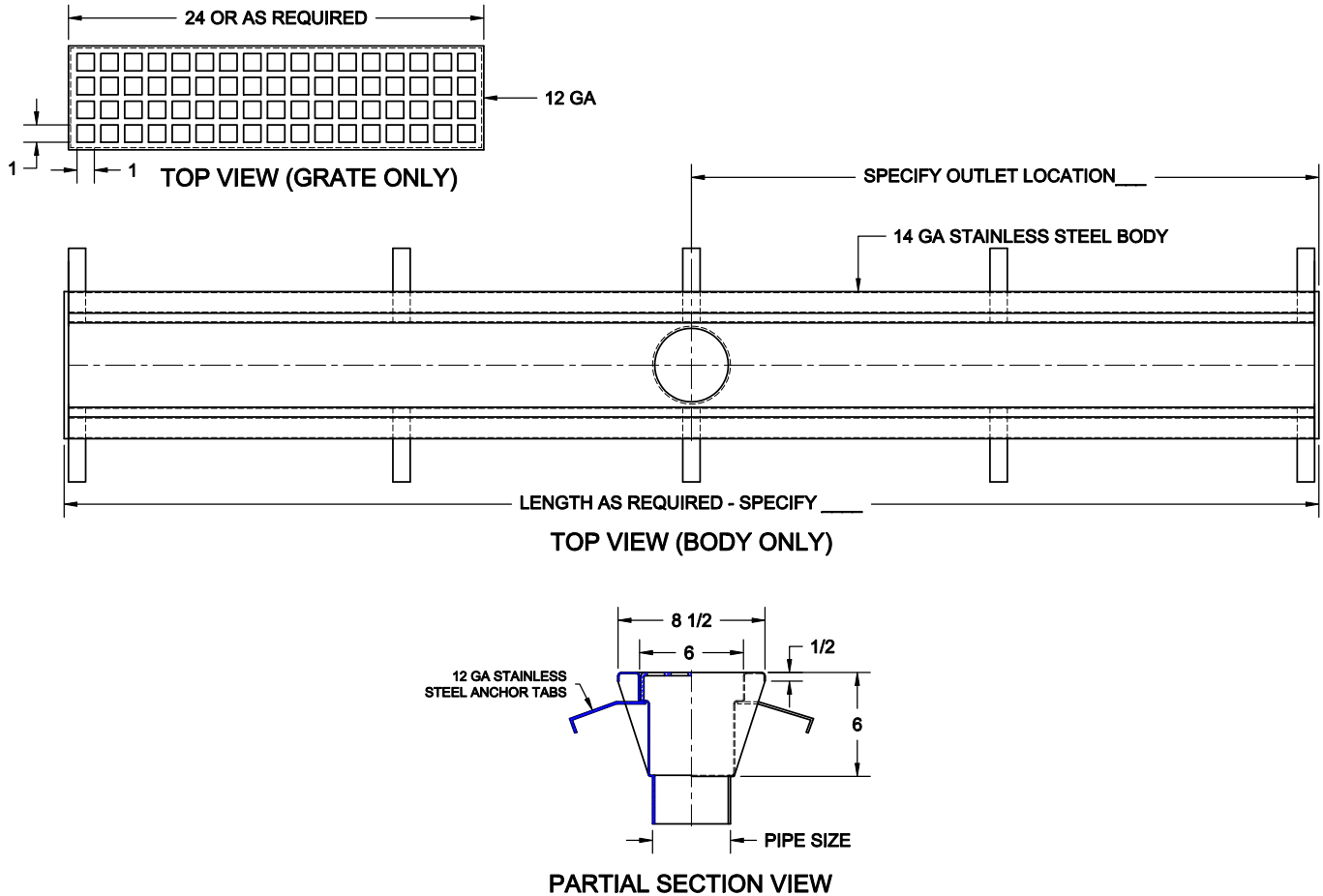


TRENCH DRAINS - STAINLESS STEEL **WADE**

2930-SS-217

STAINLESS STEEL TYPE 304 TRENCH DRAIN WITH SQUARE HOLE GRATE, ANCHOR LUGS AND NO-HUB BOTTOM OUTLET



Specify Outlet Location (from end) Ft-In

Specify Length (Ft-In)

			OPTIONS	
Cat. No.	Pipe Size	Wt. Lbs.	Suffix	Description
<input type="checkbox"/> 2932-SS-217	2	6.5/FT	<input type="checkbox"/> 5	VANDAL PROOF GRATE (SECURED)
<input type="checkbox"/> 2933-SS-217	3	6.5/FT	<input type="checkbox"/> 9	SECONDARY DOME STRAINER
<input type="checkbox"/> 2934-SS-217	4	6.5/FT	<input type="checkbox"/> 27	SEDIMENT BASKET