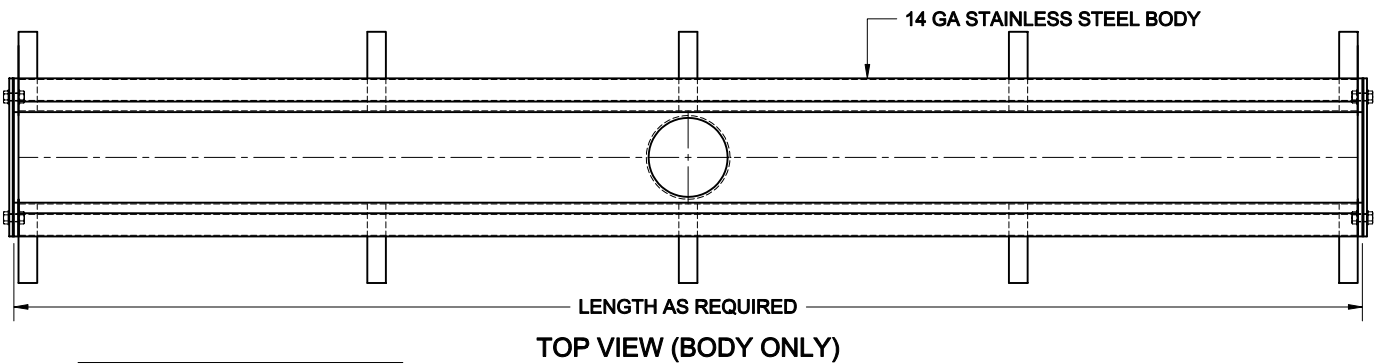
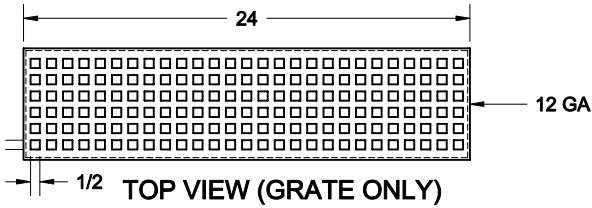


TRENCH DRAIN

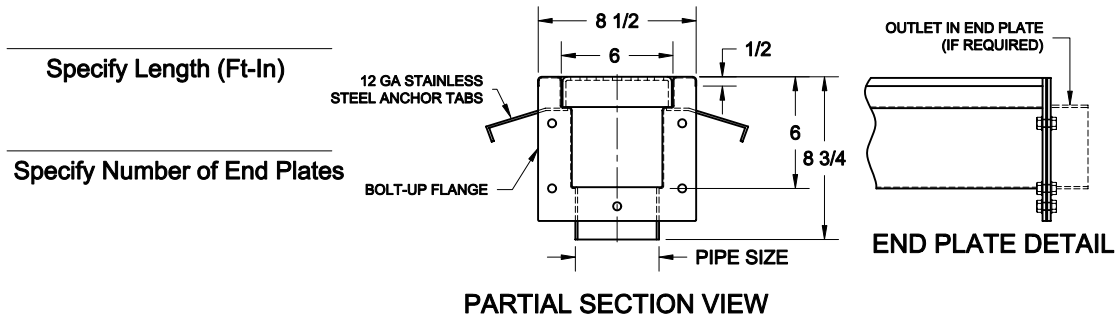


2930-SS-203

TYPE 304 STAINLESS STEEL 6" WIDE TRENCH DRAIN WITH BOLT TOGETHER SECTIONS.



Specify Outlet Location (from end) Ft-In



OPTIONS

Cat. No.	Pipe Size	Wt. Lbs.
<input type="checkbox"/> 2932-SS	2	6.5/FT
<input type="checkbox"/> 2933-SS	3	6.5/FT
<input type="checkbox"/> 2934-SS	4	6.5/FT

Suffix	Description
<input type="checkbox"/> 5	Vandal Proof Grate
<input type="checkbox"/> 9	Secondary Dome Strainer
<input type="checkbox"/> 18	Solid Cover
<input type="checkbox"/> 155	XH S/S Bar Grate
<input type="checkbox"/> ADA	Narrow Slot Bar Grate
<input type="checkbox"/> EJ	Integral Expansion Joints

AutoCad.dwg