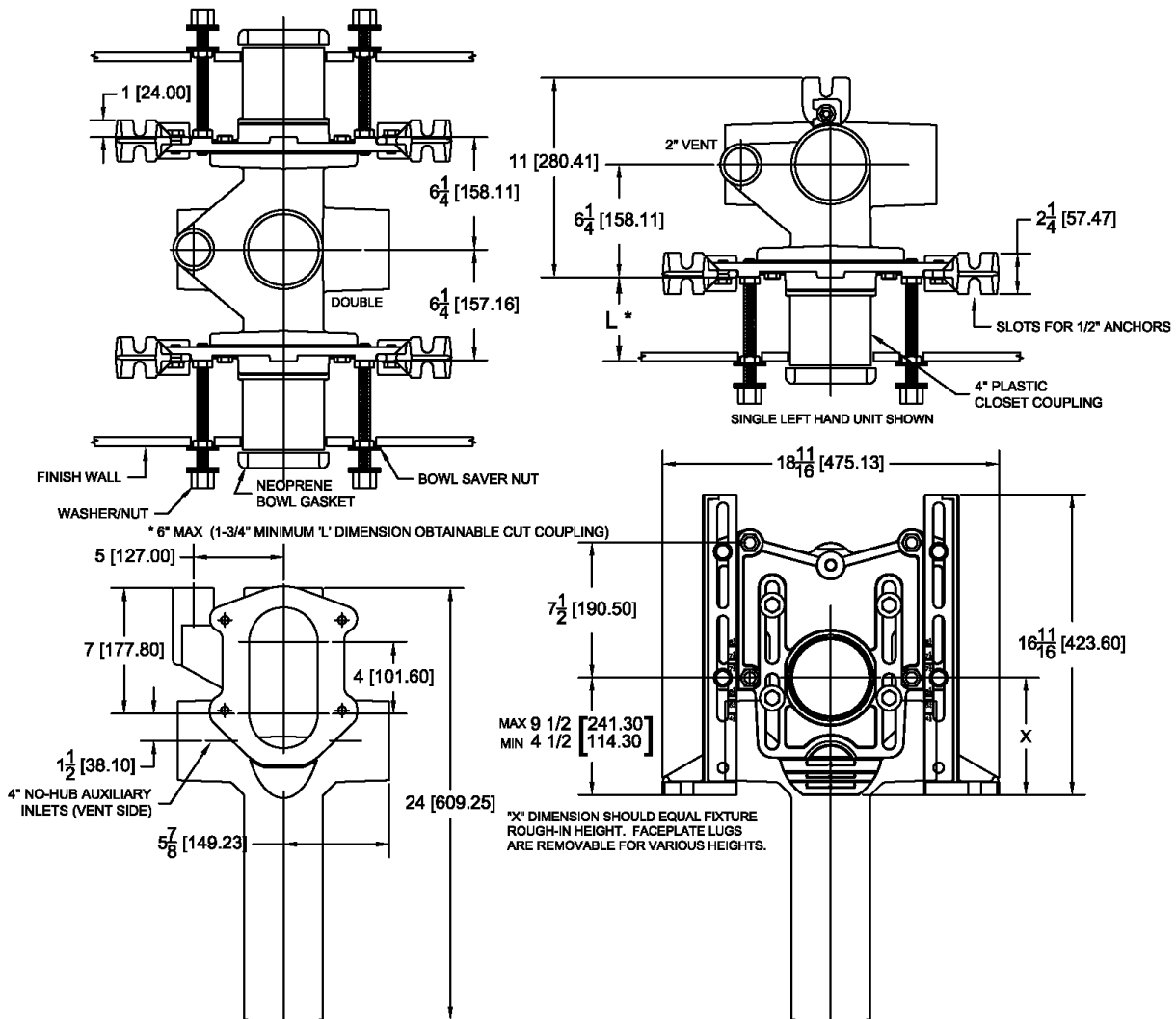


## 330-N44-A1 No-Hub Vertical Adjustable Water Closet Support

Regularly Furnished: Painted vertical adjustable water closet fitting with 4" waste and 2" offset vent, one 4" auxiliary inlet same side as vent, adjustable gasketed face plate assembly with floor mount foot supports, 7" long ABS coupling with integral test cap, 5/8-11NC threaded zinc plated fixture support studs, chrome plated cap nuts, bowl saver nut, zinc plated backup hardware, stud protectors, neoprene bowl gasket, o-ring coupling seal and rear anchor support (single fittings). ASME Load Rating = 300 Lb.



✓	Model	Configuration
	330-NL44-A1	Single Left Hand - No-Hub
	330-NR44-A1	Single Right Hand - No-Hub
	330-ND44-A1	Double – No-Hub

Options		
✓	Suffix	Description
	-AM1	Flush Valve Support
	-AM21	Tiling Flange
	-ECC	Extended Coupling and Hardware (per/in)* Specify Wall Thickness
	-FPO	Adjustable All Thread ABS Coupling
	-HR	High Rough Faceplate
	-LR	Low Rough Faceplate
	-M3	Vandal Proof Hardware
	-M4	Rod Support Feet
	-M14	Floor Mount Back Outlet Hardware
	-M26	Adjustable Cast Iron Coupling