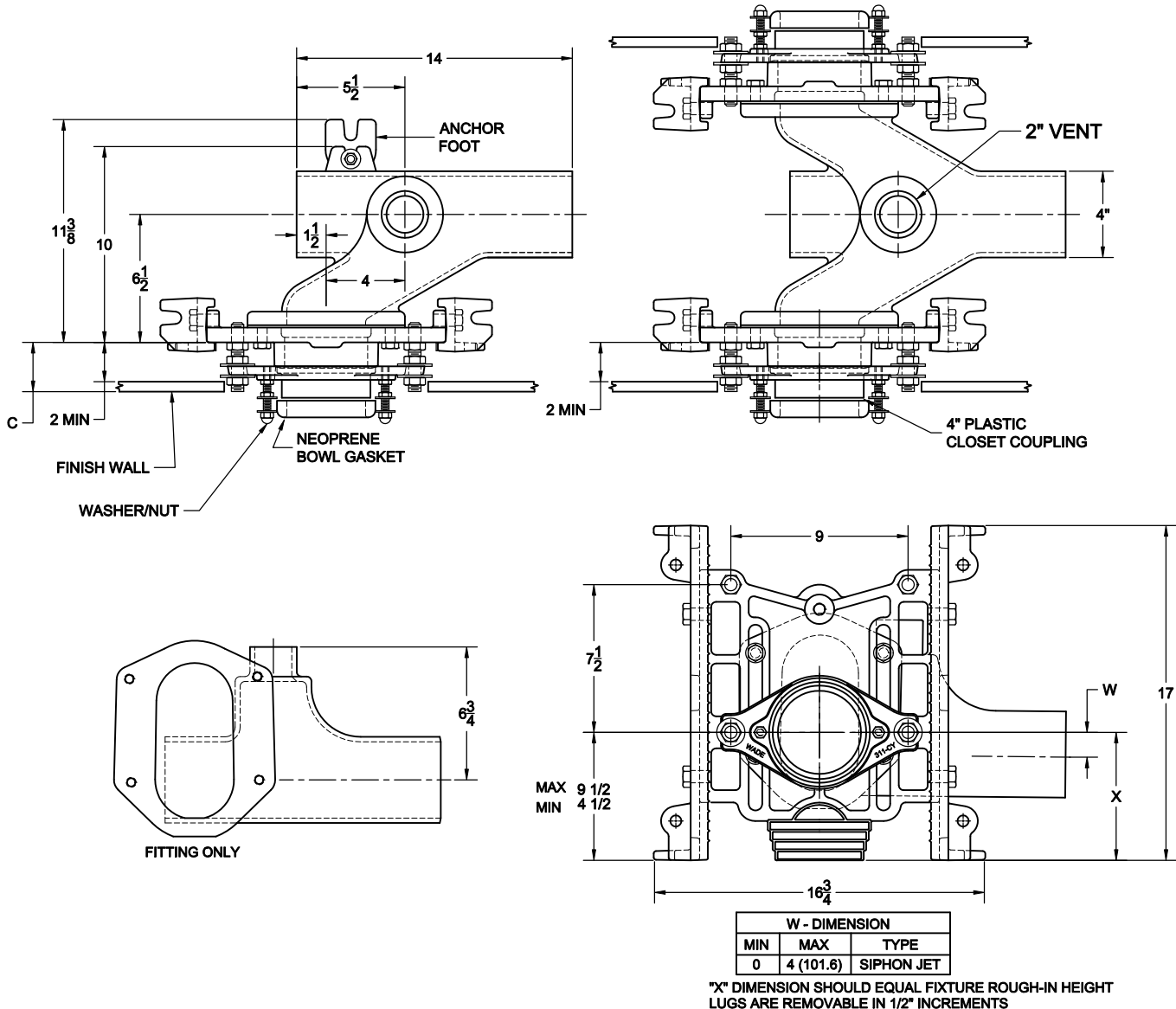


CLOSET CARRIER



310-M14 SERIES

ADJUSTABLE HORIZONTAL WATER CLOSET CARRIER WITH CAST IRON LEFT HAND, RIGHT HAND OR DOUBLE MAIN FITTING WITH 4" WASTE AND 2" VENT, ADJUSTABLE GASKETED FACEPLATE, UNIVERSAL FLOOR MOUNTED FOOT SUPPORTS, ABS COUPLING WITH INTEGRAL TEST CAP, FIXTURE SUPPORT STUDS, CHROME PLATED CAP NUTS, NEOPRENE BOWL GASKET AND REAR ANCHOR FOOT.



OPTIONS

CAT.NO.	B	WT.LB.
<input type="checkbox"/> 310-NL-M14	14 (355.6)	75.0
<input type="checkbox"/> 310-NR-M14	14 (355.6)	75.0
<input type="checkbox"/> 310-ND-M14	14 (355.6)	130.0
<input type="checkbox"/> 310-NL-36-M14	36 (914.4)	80.0
<input type="checkbox"/> 310-NR-36-M14	36 (914.4)	80.0
<input type="checkbox"/> 310-ND-36-M14	36 (914.4)	140.0

Suffix	Description
<input type="checkbox"/> C7	COUPLING PACKAGE (6" MAX "C" DIMENSION)
<input type="checkbox"/> C11	COUPLING PACKAGE (10" MAX "C" DIMENSION)
<input type="checkbox"/> C14	COUPLING PACKAGE (13" MAX "C" DIMENSION)
<input type="checkbox"/> C24	COUPLING PACKAGE (23" MAX "C" DIMENSION)
<input type="checkbox"/> AM1	FLUSH VALVE PIPING SUPPORT

AutoCad.dwg