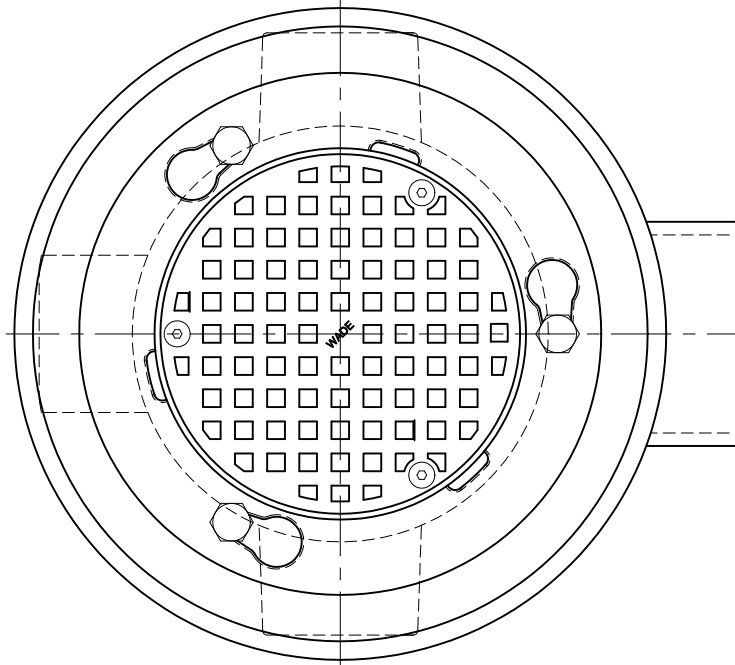


Floor Drain w/ Adjustable Strainer



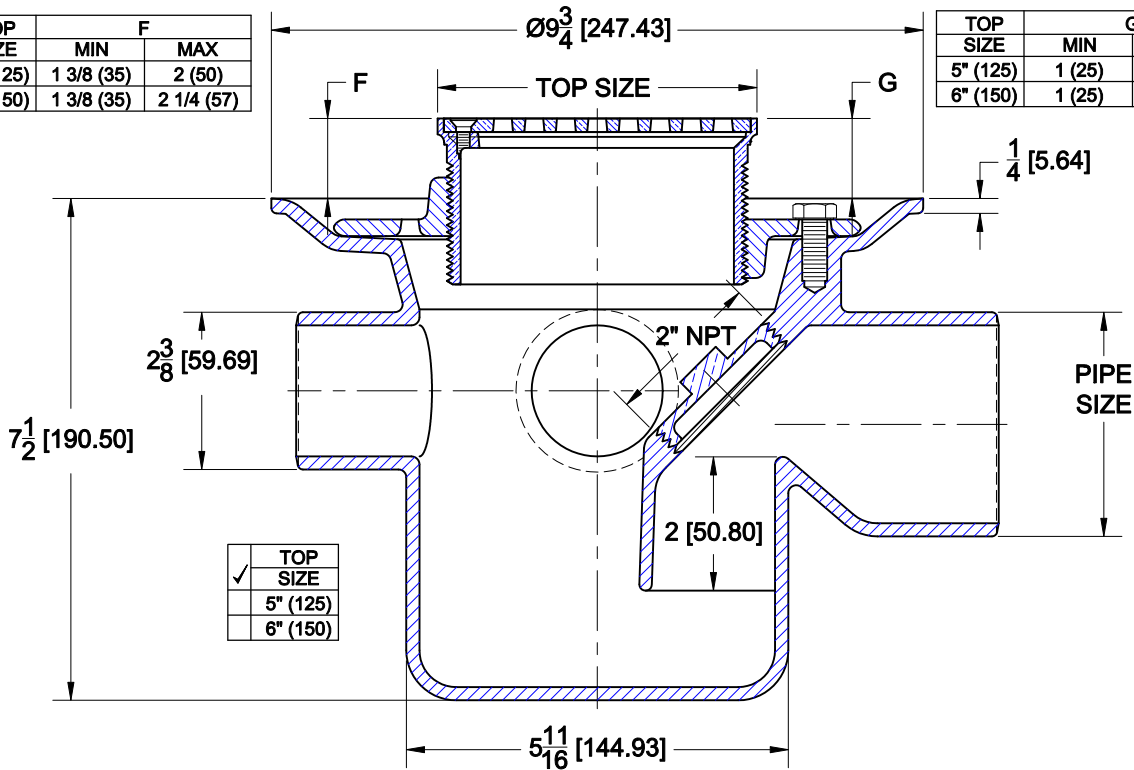
1850-C

Cast iron floor drain with flange, seepage openings, adjustable nickel bronze round strainer with secured grate, cleanout plug, integral trap seal, three auxiliary inlets and side outlet.



TOP SIZE	MIN	F	MAX
5" (125)	1 3/8 (35)		2 (50)
6" (150)	1 3/8 (35)		2 1/4 (57)

TOP SIZE	MIN	G	MAX
5" (125)	1 (25)		1 5/8 (41)
6" (150)	1 (25)		1 5/8 (41)



OPTIONS

Cat. No.	Pipe Size	Wt. Lbs.	Suffix	Description
<input type="checkbox"/> 1852-C__	2 (50)	18.0	<input type="checkbox"/> 39	Galvanized Iron Parts
<input type="checkbox"/> 1853-C__	3 (75)	18.0	<input type="checkbox"/> 64	A.R.E. Coated Iron Parts
<input type="checkbox"/> 1854-C__	4 (100)	18.5		

AutoCad.dwg