

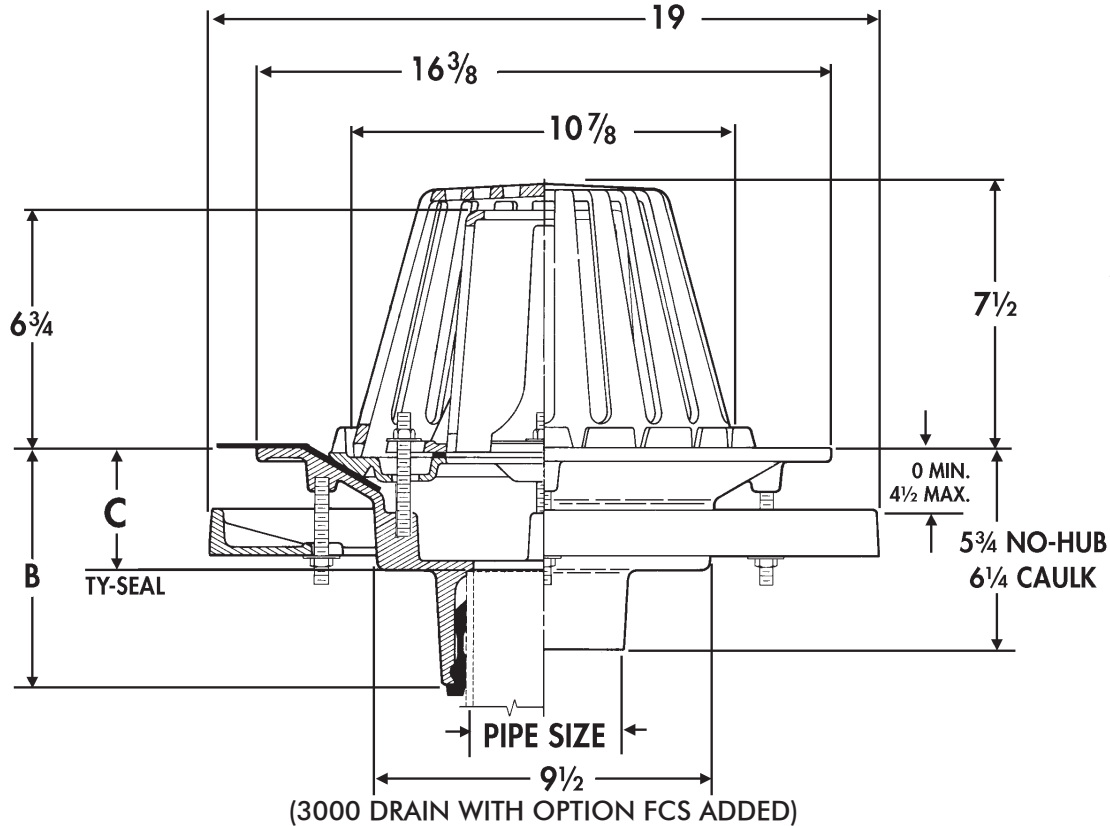
Control-Flow Roof Drains



3000FCS (2 - 8" Outlets)

Cast Iron roof drain with flashing ring and gravel stop, water retaining device with 6" high proportional flow weir and cast iron mushroom dome.

NOTE: FCS Package Comes Standard With (One) Flow Weir Opening.



Cat. No.	Pipe Size	B Ty-Seal	C Ty-Seal	Wt. Lbs.
<input type="checkbox"/> 3002FCS	2	$6\frac{3}{8}$	$3\frac{7}{8}$	50
<input type="checkbox"/> 3003FCS	3	$6\frac{5}{8}$	$3\frac{7}{8}$	52
<input type="checkbox"/> 3004FCS	4	$6\frac{7}{8}$	$3\frac{7}{8}$	53
<input type="checkbox"/> 3005FCS	5	-	-	74
<input type="checkbox"/> 3006FCS	6	$6\frac{3}{8}$	$3\frac{3}{8}$	74
<input type="checkbox"/> 3008FCS	8	-	-	75

OPTIONS

Suffix	Description
<input type="checkbox"/> 3.....	Rough Bronze Dome
<input type="checkbox"/> 5.....	Vandal Proof
<input type="checkbox"/> 39.....	Galvanized Iron Parts
<input type="checkbox"/> 52.....	Bearing Pan/Sump Receiver
<input type="checkbox"/> 53.....	Deck Clamp

OUTLET:

- TY..... Ty-Seal (2", 3", 4", 6")
- NH..... No-Hub
- IC..... Inside Caulk (2", 3", 4", 6")
- IPS..... Thread

VARIATIONS

Suffix	Description
<input type="checkbox"/> AE.....	Adjustable Extension (1-6" Adj.)
<input type="checkbox"/> DF.....	Extension Flange (1", 2", 3", 4")
<input type="checkbox"/> DFS.....	Perforated Extension (2", 3", 4")
<input type="checkbox"/> ADF.....	Adjustable Extension (1 $\frac{3}{4}$ -3 $\frac{1}{2}$)