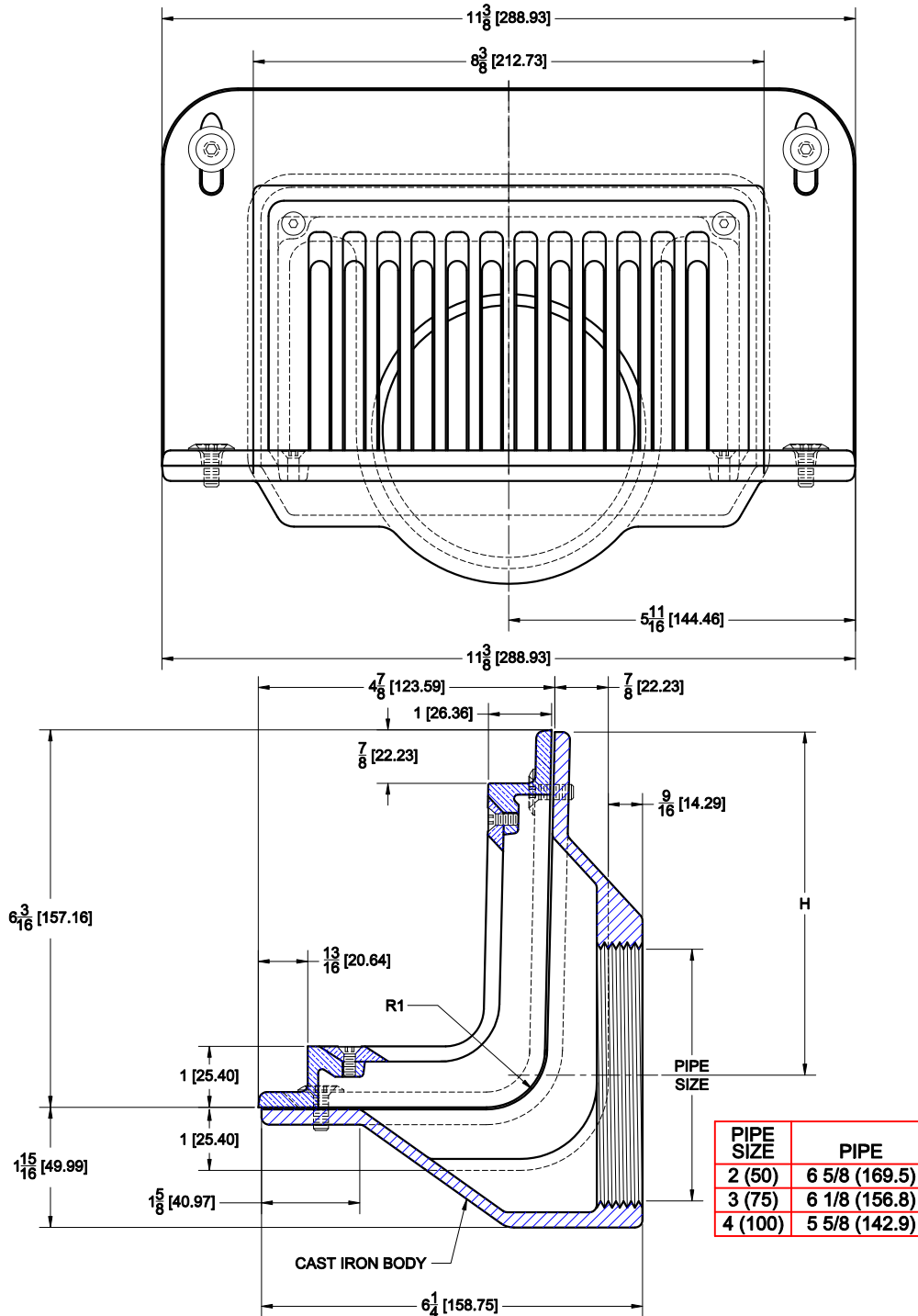


ANGLE SHOWER DRAIN



1790

PAINTED CAT IRON ANGLE SHOWER DRAIN WITH THREADED SIDE OUTLET, SATIN FINISH NICKEL BRONZE FLASHING CLAMP AND SECURED FLAT GRATE.



OPTIONS

Cat. No.	Pipe Size	Wt. Lbs.	Suffix	Description
<input type="checkbox"/> 1792	2 (50)	19.0	<input type="checkbox"/> 39	GALVANIZED IRON PARTS
<input type="checkbox"/> 1793	3 (75)	17.0	<input type="checkbox"/> 179	SECURITY SCREWS
<input type="checkbox"/> 1794	4 (100)	17.0		

AutoCad.dwg