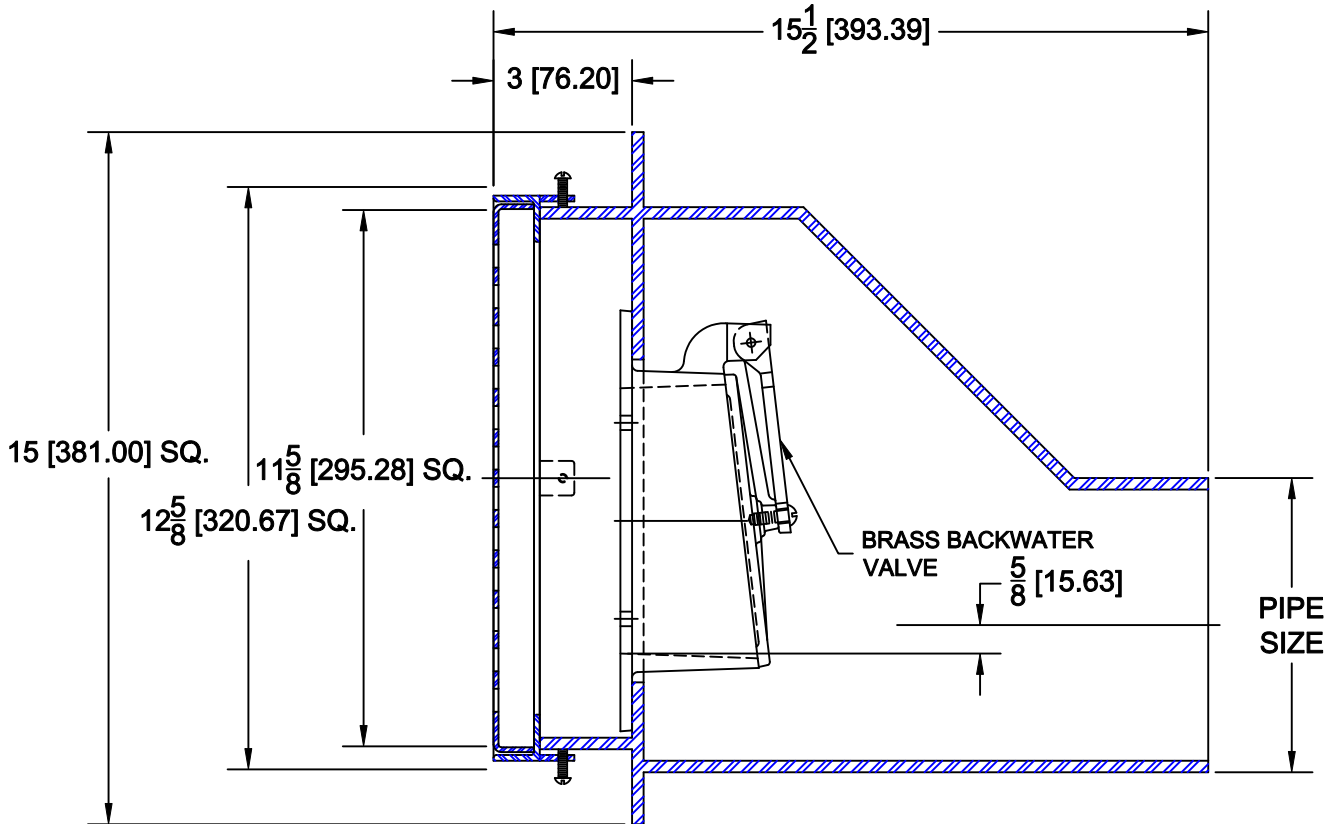


PIT DRAIN



1780-SS

STAINLESS STEEL PIT DRAIN WITH 12" SQUARE INLET, SECURED GRATE AND SPIGOT SIDE OUTLET.



OPTIONS

Cat. No.	Pipe Size	Wt. Lbs.	Suffix	Description
<input type="checkbox"/> 1782-SS	2 (50)	47.0	<input type="checkbox"/> 21	LESS GRATE
<input type="checkbox"/> 1783-SS	3 (75)	47.0	<input type="checkbox"/> 31	BRASS BACKWATER VALVE
<input type="checkbox"/> 1784-SS	4 (100)	47.0		
<input type="checkbox"/> 1786-SS	6 (150)	48.0		

NOTE: BACKWATER VALVE DOES NOT PROVIDE POSITIVE SEAL

AutoCad.dwg