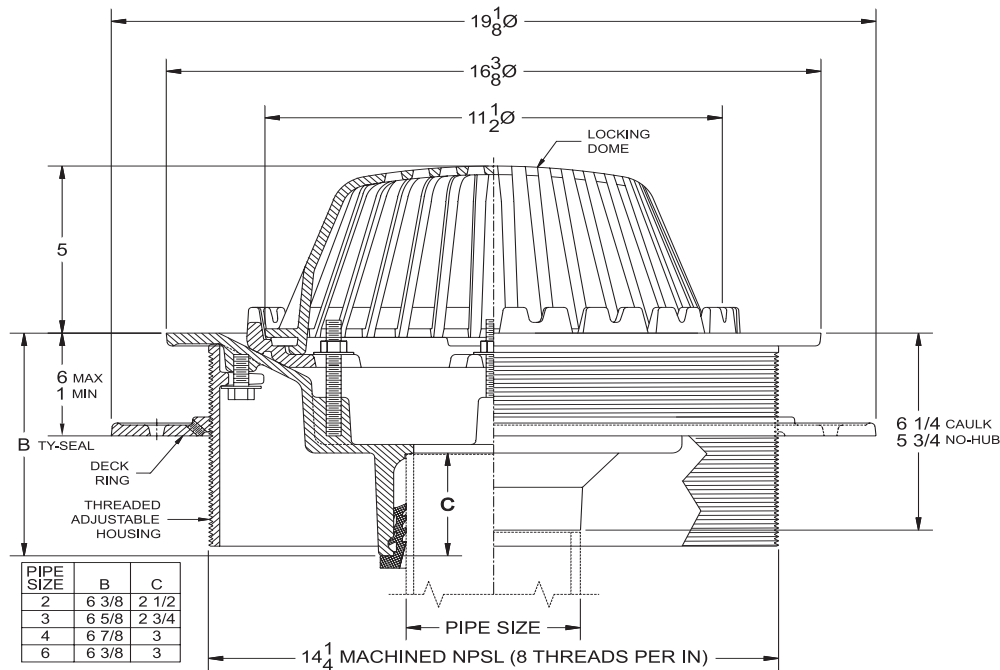
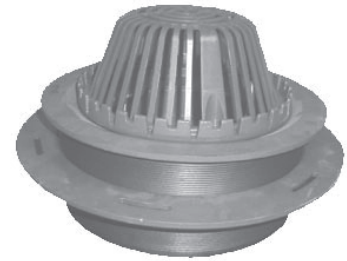


# Adjustable Roof Drains

# WADE

## 3000AE (2 - 8" Outlets)

Cast iron roof drain with flange, flashing ring with gravel stop, polypropylene mushroom dome, underdeck clamp and adjustable extension with reversible high or low position deck ring.



(3000 DRAIN WITH OPTION AE ADDED)

Cat. No.	Pipe Size	B Ty-Seal	B No-Hub	B Caulk	Wt. Lbs.
<input type="checkbox"/> 3002AE	2	6 3/8	5 3/4	6 1/4	92
<input type="checkbox"/> 3003AE	3	6 5/8	5 3/4	6 1/4	92
<input type="checkbox"/> 3004AE	4	6 7/8	5 3/4	6 1/4	92
<input type="checkbox"/> 3005AE	5	-	5 3/4	6 1/4	125
<input type="checkbox"/> 3006AE	6	6 3/8	5 3/4	6 1/4	125
<input type="checkbox"/> 3008AE	8	-	5 3/4	-	-

### OPTIONS

Suffix	Description
<input type="checkbox"/> 3.....	Rough Bronze Dome
<input type="checkbox"/> 5.....	Vandal Proof
<input type="checkbox"/> 39.....	Galvanized Iron Parts
<input type="checkbox"/> 46.....	Aluminum Dome
<input type="checkbox"/> 52.....	Bearing Pan/Sump Receiver
<input type="checkbox"/> 53.....	Deck Clamp
<input type="checkbox"/> 42.....	Cast Iron Dome

### OUTLET:

- TY..... Ty-Seal (2", 3", 4", 6")
- NH..... No-Hub
- IC..... Inside Caulk (2"-6")
- IPS..... Thread

### VARIATIONS

Suffix	Description
<input type="checkbox"/> DF.....	Extension Flange (1", 2", 3", 4")
<input type="checkbox"/> DFS.....	Perforated Extension (2", 3", 4")
<input type="checkbox"/> DP.....	Perforated Gravel Stop
<input type="checkbox"/> D.....	Dam (2" High)
<input type="checkbox"/> FCS.....	Flow Control Assembly
<input type="checkbox"/> SD.....	Standpipe Assembly