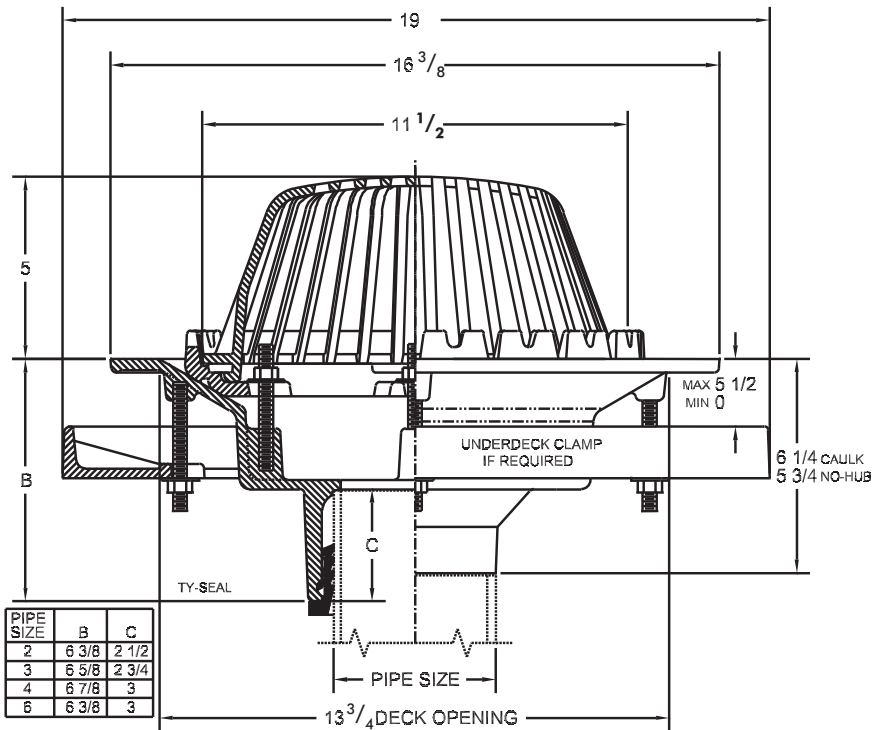


Roof Drains

WADE

3000 (2 - 8" Outlets)

Cast iron roof drain with flange, flashing ring with gravel stop and polypropylene mushroom locking dome.



Cat. No.	Pipe Size	B Ty-Seal	C Ty-Seal	Wt. Lbs.
<input type="checkbox"/> 3002	2	6 3/8	3 7/8	41
<input type="checkbox"/> 3003	3	6 5/8	3 7/8	43
<input type="checkbox"/> 3004	4	6 7/8	3 7/8	44
<input type="checkbox"/> 3005	5	-	-	65
<input type="checkbox"/> 3006	6	6 3/8	3 3/8	65
<input type="checkbox"/> 3008	8	-	-	-

OPTIONS

Suffix	Description
<input type="checkbox"/> 3.....	Rough Bronze Dome
<input type="checkbox"/> 5.....	Vandal Proof
<input type="checkbox"/> 39.....	Galvanized Iron Parts
<input type="checkbox"/> 42.....	Cast Iron Dome
<input type="checkbox"/> 46.....	Aluminum Dome
<input type="checkbox"/> 52.....	Bearing Pan/Sump Receiver
<input type="checkbox"/> 53.....	Deck Clamp

OUTLET:

- TY..... Ty-Seal (2", 3", 4", 6")
- NH..... No-Hub
- IC..... Inside Caulk (2"-6")
- IPS..... Thread

VARIATIONS

Suffix	Description
<input type="checkbox"/> DF.....	Extension Flange (1", 2", 3", 4")
<input type="checkbox"/> DFS.....	Perforated Extension (2", 3", 4")
<input type="checkbox"/> DP.....	Perforated Gravel Stop
<input type="checkbox"/> D.....	Dam (2" High)