

STAINLESS STEEL FLOOR DRAIN

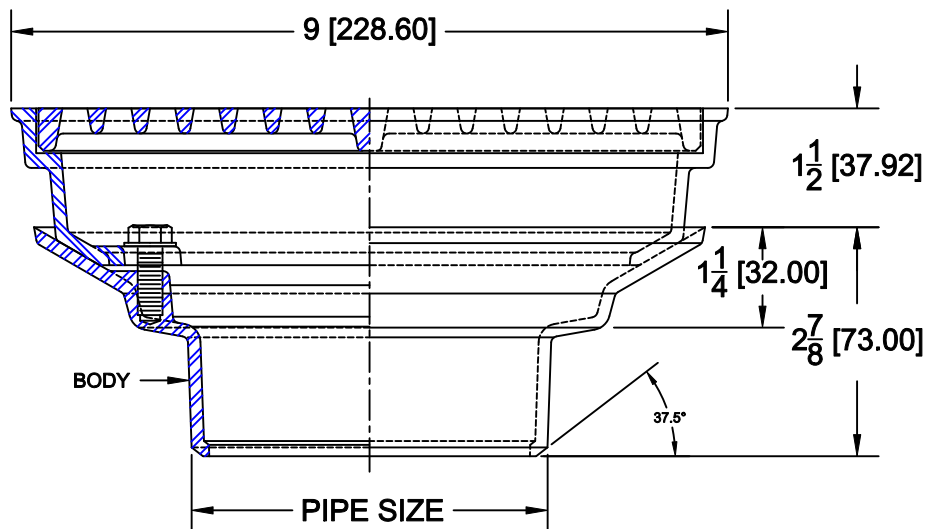
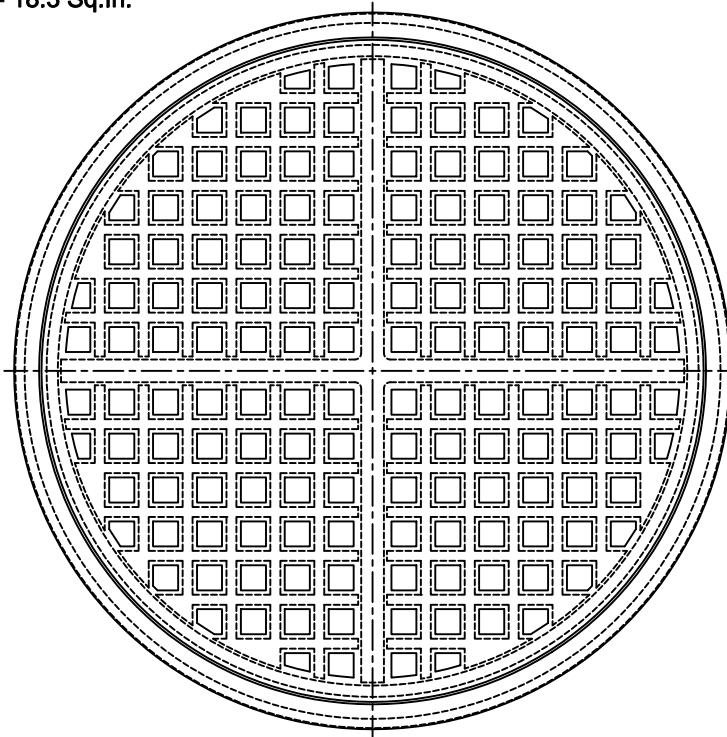


1300-SS

CAST STAINLESS STEEL FLOOR DRAIN WITH FLANGE, LOOSE SET GRATE AND BOTTOM OUTLET.

ANSI Load Class - HD Heavy Duty (5,000-7,999 lbs)

Grate Frre Area - 18.3 Sq.In.



OPTIONS

Cat. No.	Pipe Size	Wt. Lbs.	Suffix	Description
<input type="checkbox"/> 1302-SS	2 (50)	39.0	<input type="checkbox"/> 5	Vandal Proof
<input type="checkbox"/> 1303-SS	3 (75)	39.0	<input type="checkbox"/> 8	Secondary Strainer
<input type="checkbox"/> 1304-SS	4 (100)	39.0	<input type="checkbox"/> 23	Grate Riser (2" High)
			<input type="checkbox"/> 27	Aluminum Sediment Bucket
			<input type="checkbox"/> 31	Brass Trimmed Backwater Valve

OUTLETS

(NH) No-Hub (BW) Butt-Weld (IPS) Threaded

AutoCad.dwg