

STAINLESS STEEL FLOOR DRAIN

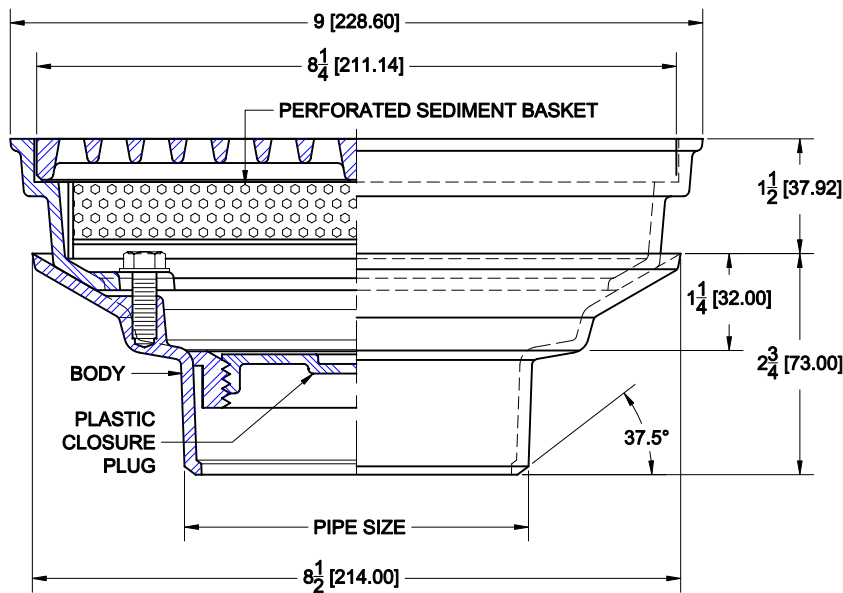
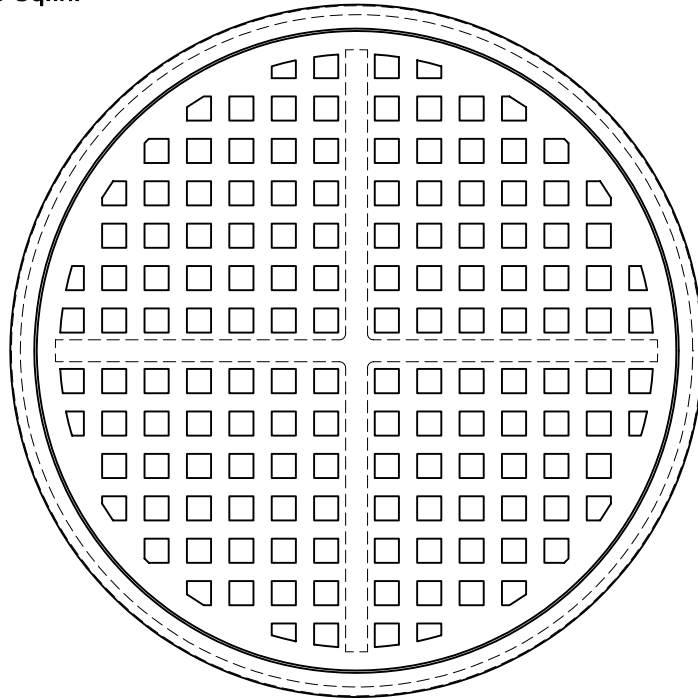


1300-SS-27-33

CAST STAINLESS STEEL FLOOR DRAIN WITH FLANGE, LOOSE SET GRATE, PERFORATED SEDIMENT BASKET WITH LIFT HANDLE, PLASTIC NPT CLOSURE PLUG AND BOTTOM OUTLET.

ANSI Load Class - HD Heavy Duty (5,000-7,999 lbs)

Grate Free Area - 18.3 Sq.In.



OPTIONS

Cat. No.	Pipe Size	Wt. Lbs.	Suffix	Description
<input type="checkbox"/> 1302-SS-27-33	2 (50)	23.0	<input type="checkbox"/> 5	VANDAL PROOF
<input type="checkbox"/> 1303-SS-27-33	3 (75)	23.5	<input type="checkbox"/> 23	GRATE RISER (2" HIGH)
<input type="checkbox"/> 1304-SS-27-33	4 (100)	24.0	<input type="checkbox"/> EF4	4" DIA. S/S FUNNEL
			<input type="checkbox"/> EG8	ELONGATED S/S FUNNEL

OUTLET: BUTT WELD
(WILL ALSO ACCEPT NO-HUB COUPLING)