

STAINLESS STEEL FLOOR DRAIN

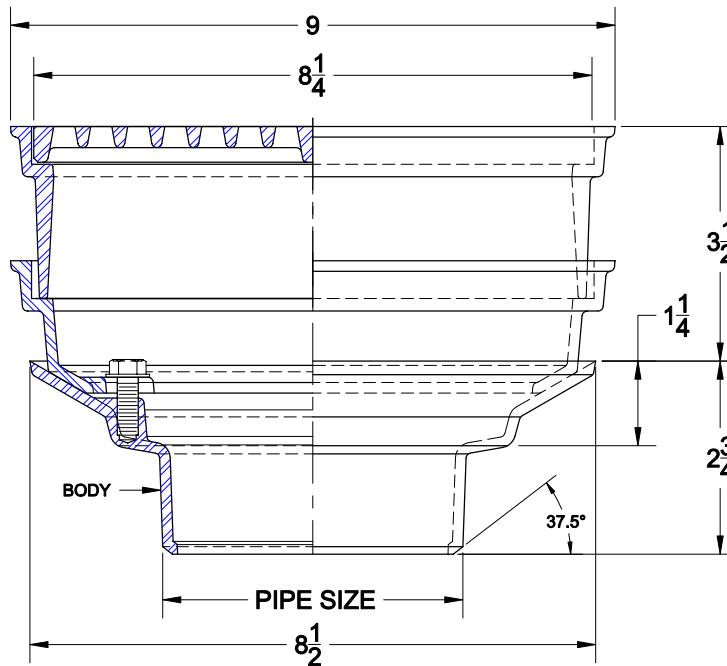
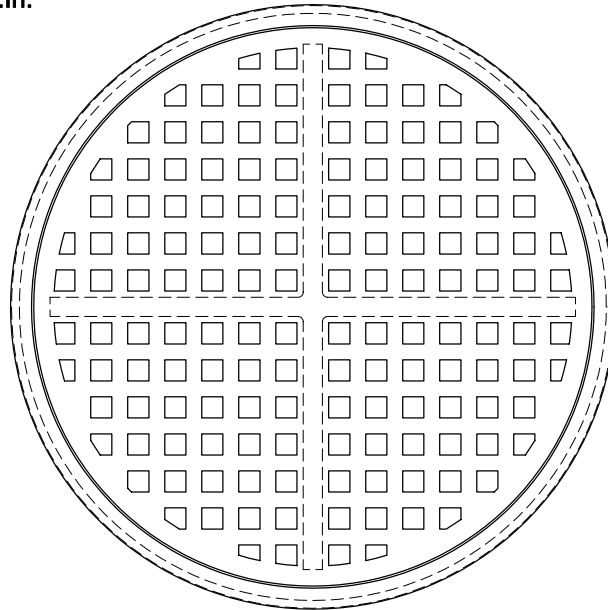


1300-SS-23

CAST STAINLESS STEEL FLOOR DRAIN WITH FLANGE, LOOSE SET GRATE, 2" HIGH GRATE RISER AND BOTTOM BUTT-WELD / NO-HUB OUTLET.

ANSI Load Class - MD Medium Duty (5,000-7,999 lbs)

Grate Free Area - 18.3 Sq.In.



OPTIONS

Cat. No.	Pipe Size	Wt. Lbs.	Suffix	Description
<input type="checkbox"/> 1302-SS-23	2 (50)	27.5	<input type="checkbox"/> 5	Vandal Proof
<input type="checkbox"/> 1303-SS-23	3 (75)	27.5	<input type="checkbox"/> 8	Secondary Strainer
<input type="checkbox"/> 1304-SS-23	4 (100)	28.0	<input type="checkbox"/> 26	Clamp Device
			<input type="checkbox"/> 27	Sediment Bucket
			<input type="checkbox"/> 179	Security Screws
			<input type="checkbox"/> EF4	4" Dia. S/S Funnel
			<input type="checkbox"/> EG8	Elongated S/S Funnel

OUTLETS

<input type="checkbox"/> (NH) No-Hub	<input type="checkbox"/> (IC) Inside Caulk	<input type="checkbox"/> (IPS) Threaded	<input type="checkbox"/> (BW) Butt-Weld
--------------------------------------	--	---	---

AutoCad.dwg