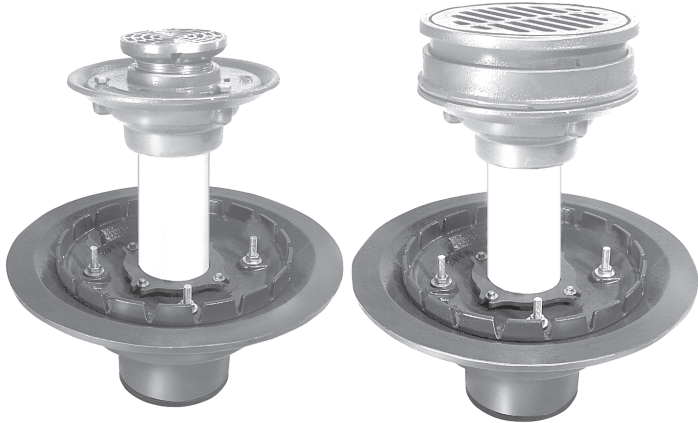


Isolation Floor Drains

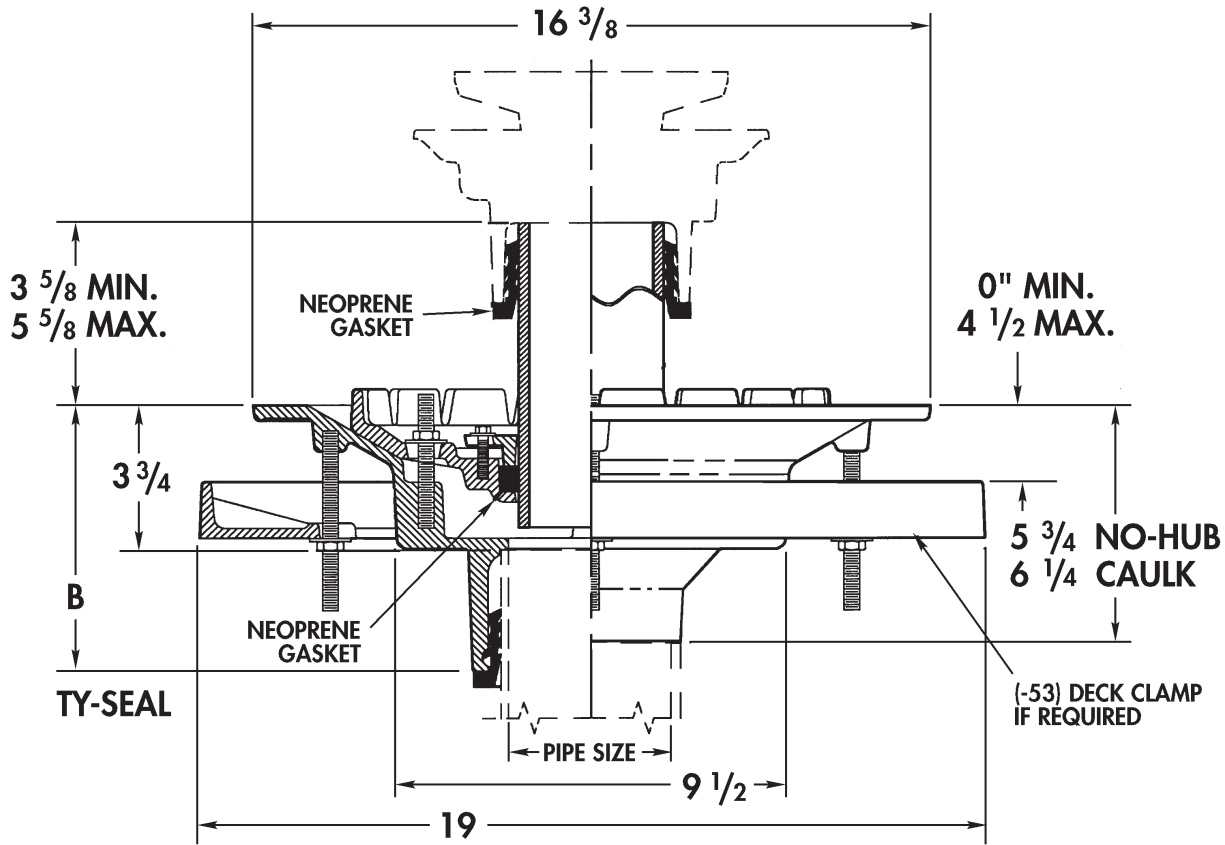


2000 Cast iron isolation floor drain body with flange, integral clamping collar and 3-in. diameter plastic stand pipe, 8-in. tall. NOTE: NO UPPER DRAIN OR CLEANOUT FURNISHED; ORDER 3" UPPER UNIT SEPARATELY. ONLY 3" WILL FIT.



2000 Shown with 1100 Added

2000 Shown with 1300 Added



Cat. No.	Pipe Size	B Ty-Seal	Wt. Lbs.
2002	2	$6 \frac{1}{4}$	49
2003	3	$6 \frac{1}{2}$	49
2004	4	$6 \frac{3}{4}$	49

OPTIONS

Suffix	Description
39.....	Galvanized Iron Parts
52.....	Bearing Pan
53.....	Deck Clamp

- OUTLET:**
- (TY) Ty-Seal
 - (NH) No-Hub
 - (IC) Inside Caulk