

# Garbage Can Wash Drain

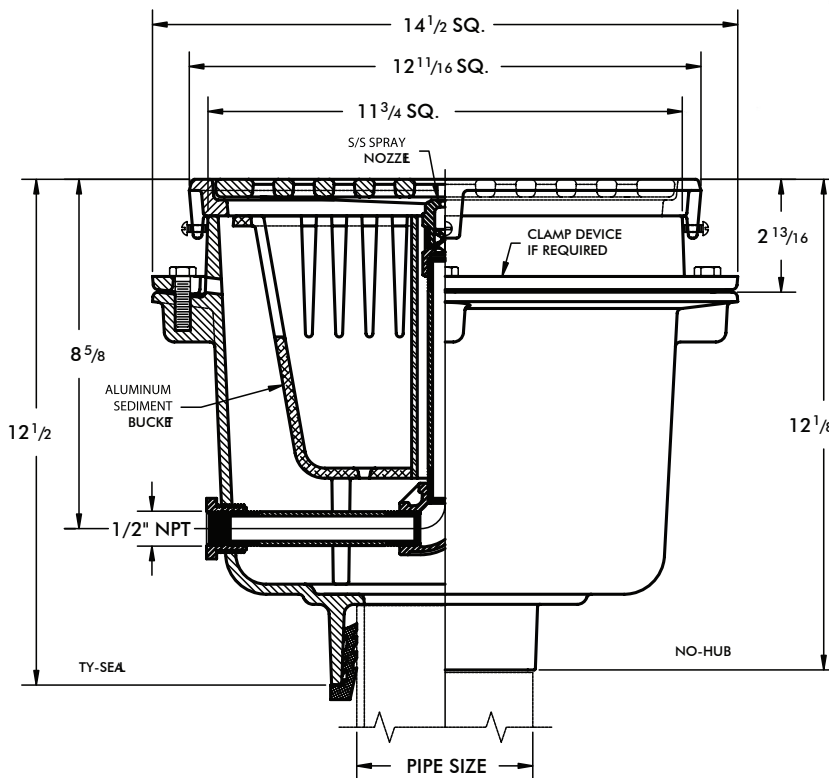
**WADE**

**1990** Cast iron coated floor drain with flange, loose set ductile iron slotted grate, seepage openings, aluminum sediment bucket, stainless steel spray nozzle assembly and bottom outlet.

ANSI load class MD - Medium Duty (5,000 - 7,500 Lbs.)  
Grate Free Area - 41.7 Sq.In.



1990-64 Pictured



## OPTIONS

Cat. No.	Pipe Size	Flow Rate (GPM)	Wt. Lbs.
1992	2	38	91.0
1993	3	72	91.0
1994	4	105	94.0
1996	6	150	94.0

Suffix	Description
1	Nickel Bronze Top w/ Hinged Grate*
26	Clamp Device
39	Galvanized Iron Parts
64	ARE Coated
125	S/S Perforated Screen Over Bucket Ports
2440-S	Surface Mount Remote Supply Box
2440	Recessed Remote Supply Box

\* Nickel Bronze Top - ANSI load class LD Light Duty (Under 2,000 Lbs.)

## OUTLETS

- NH..... No-Hub
- TY ..... Ty-Seal