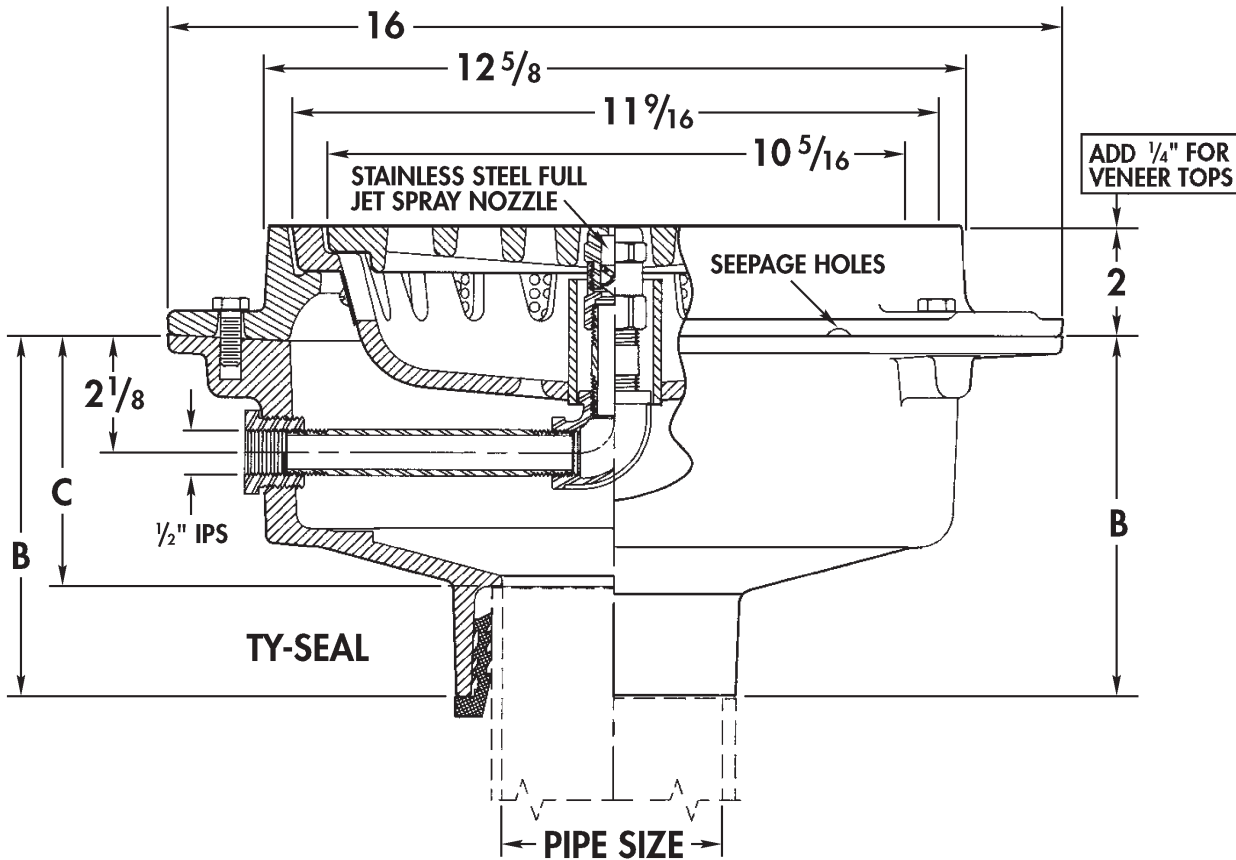


Garbage Can Wash Drains

WADE

1980 Cast iron bottom outlet floor drain with flange, seepage openings, sediment bucket with stainless steel mesh liner and garbage can spray wash unit; ductile iron grate supported by bucket.



| Cat. No. | Pipe Size | ANSI* Load Class | B Ty-Seal | C Ty-Seal | Flow Rate (GPM) | Free Area Sq. In. | Wt. Lbs. |
|-------------------------------|-----------|------------------|-------------------------------|-------------------------------|-----------------|-------------------|----------|
| <input type="checkbox"/> 1983 | 3 | XH | 6 ³ / ₄ | 4 ³ / ₄ | 72 | 32.2 | 91 |
| <input type="checkbox"/> 1984 | 4 | XH | 6 ¹ / ₂ | 4 ¹ / ₂ | 105 | 32.2 | 94 |
| <input type="checkbox"/> 1986 | 6 | XH | 6 ¹ / ₄ | 4 ¹ / ₄ | 150 | 32.2 | 94 |

*XH = Extra Heavy Duty (7,500 to 10,000 lbs)

OUTLET:

- (TY) Ty-Seal
- (NH) No-Hub
- (IC) Inside Caulk

OPTIONS

| Suffix | Description |
|-----------------------------------|---------------------------------|
| <input type="checkbox"/> 1..... | Nickel Bronze Veneer Top |
| <input type="checkbox"/> 179..... | Security Screws |
| <input type="checkbox"/> 2440 S. | Surface Mount Remote Supply Box |
| <input type="checkbox"/> 2440.... | Recessed Remote Supply Box |