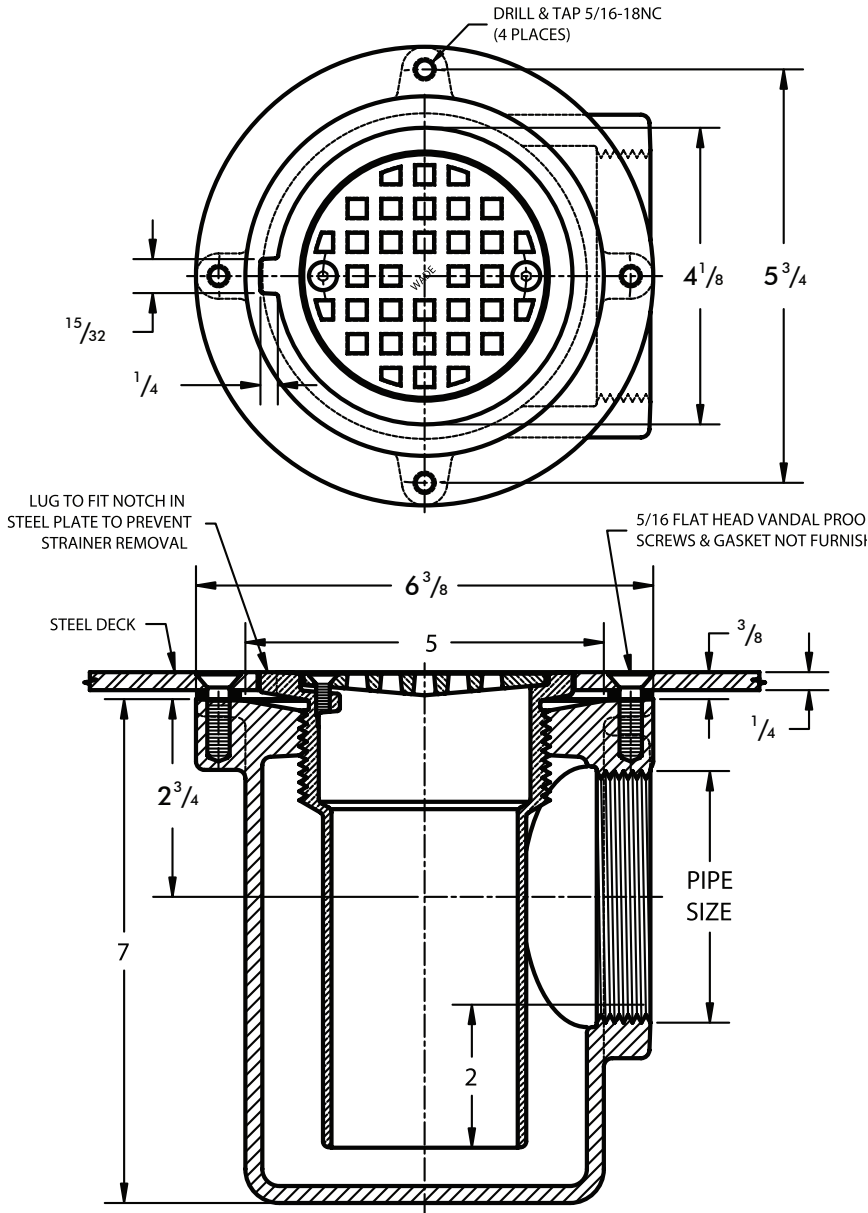


# Prison Cell Floor Drain w/ Adjustable Strainers



**1840-PD** Painted cast iron prison cell floor drain with anchor flange, integral trap, 4" diameter satin finish nickel bronze strainer with vandal proof screws and threaded side outlet.



Cat. No.	Pipe Size	Top Size	ANSI* Size	Free Area (GPM)	Wt. Sq. In.
1842-PD	2	4	LD	3.5	8.5
1843-PD	3	4	LD	3.5	8.5

\* ANSI Load Class - L.D. = Light Duty (Under 2,000 Lbs.)

## OPTIONS

Suffix	Description
39.....	Galvanized Iron Parts
179.....	Security Screws (Pin Allen Head)