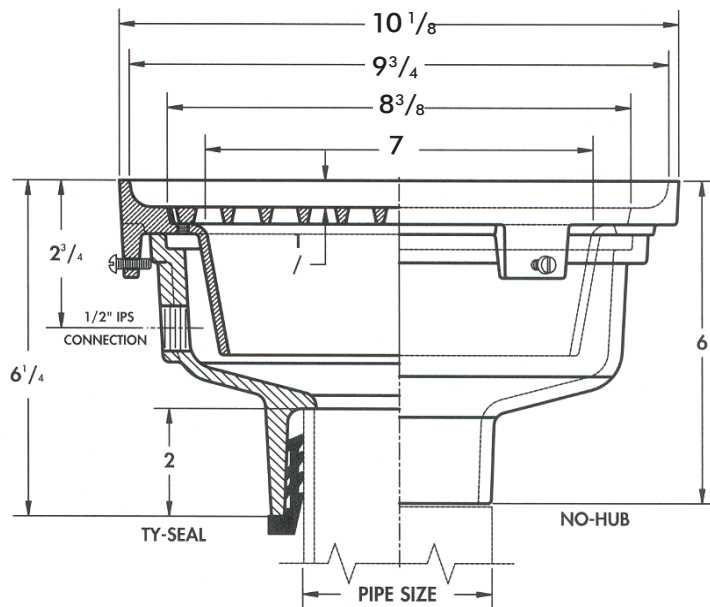
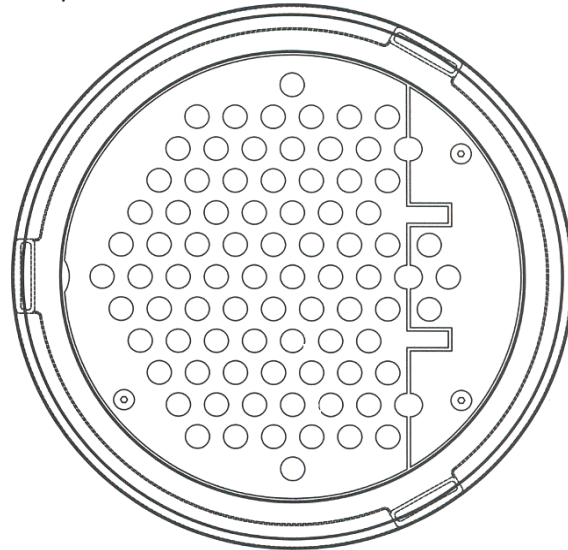


# Refrigerator Drain

**WADE**

**1830** Cast iron refrigerator drain with white acid resistant epoxy coating, satin finish nickel bronze recessed top, hinged perforated grate, flushing connection and bottom outlet.  
ANSI load class LD - Light Duty (Under 2,000 Lbs.)  
Grate Free Area = 12.62 Sq.In.



Cat. No.	Pipe Size	Wt. Lbs.
1832	2	15.0
1833	3	15.5
1834	4	16.0

**OUTLETS**

- NH..... No-Hub
- TY..... Ty-Seal

**OPTIONS**

Suffix	Description
5.....	Vandal Proof
31.....	Backwater Valve
*93.....	P-Trap w/ Flushing Connection
2440....	Recess Mount Water Control Box
2440-S	Surface Mount Water Control Box

\* (4" Only)