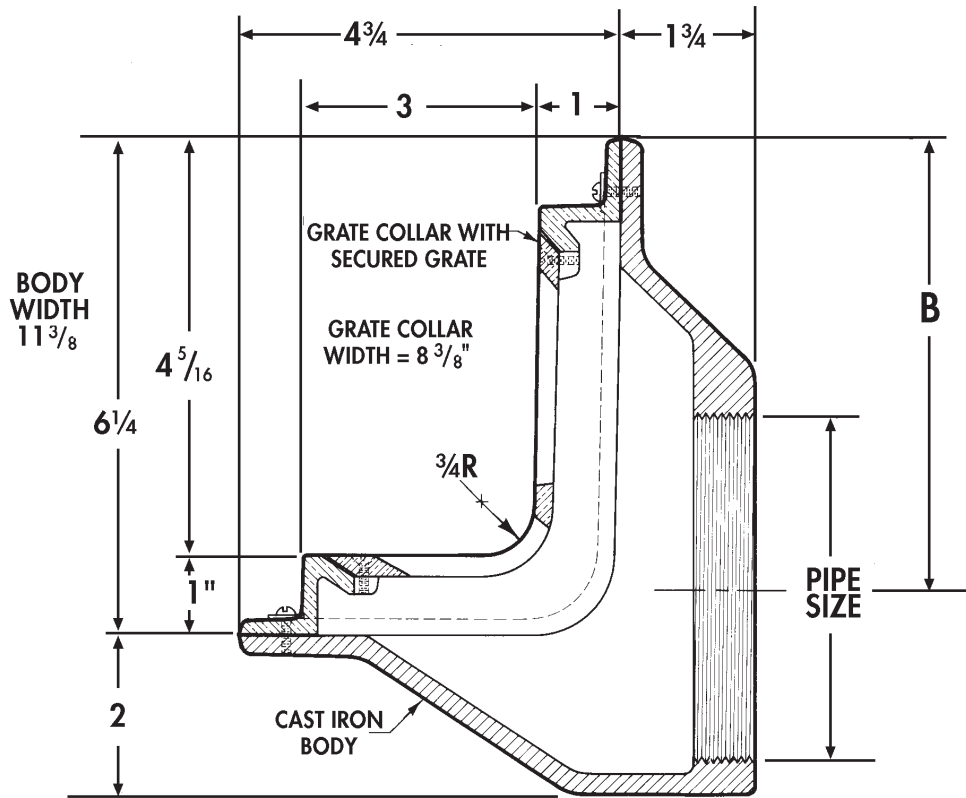
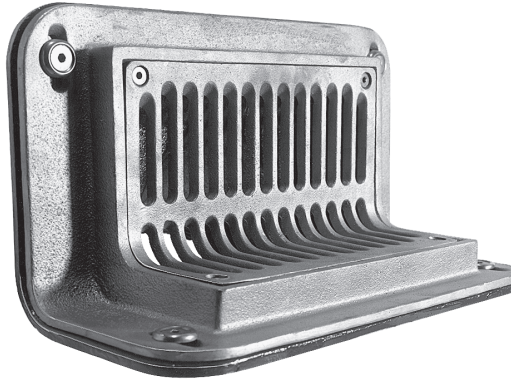


Shower Drains



1790 Cast iron side outlet floor or shower angle drain with integral clamping collar, 1" high grate ledge and secured nickel bronze angle grate.



Cat. No.	Pipe Size	ANSI* Load Class	B	Free Area Sq. In.	Wt. Lbs.
<input type="checkbox"/> 1792	2	LD	6 3/4	16.4	19
<input type="checkbox"/> 1793	3	LD	6 1/4	16.4	17
<input type="checkbox"/> 1794	4	LD	5 1/2	16.4	17

*LD = Light Duty (Under 2,000 lbs)

OPTIONS

Suffix	Description
<input type="checkbox"/> 39.....	Galvanized Iron Parts
<input type="checkbox"/> 179.....	Security Screws

NOTE: Available with Nickel-Bronze grate only.

OUTLETS

Thread Only