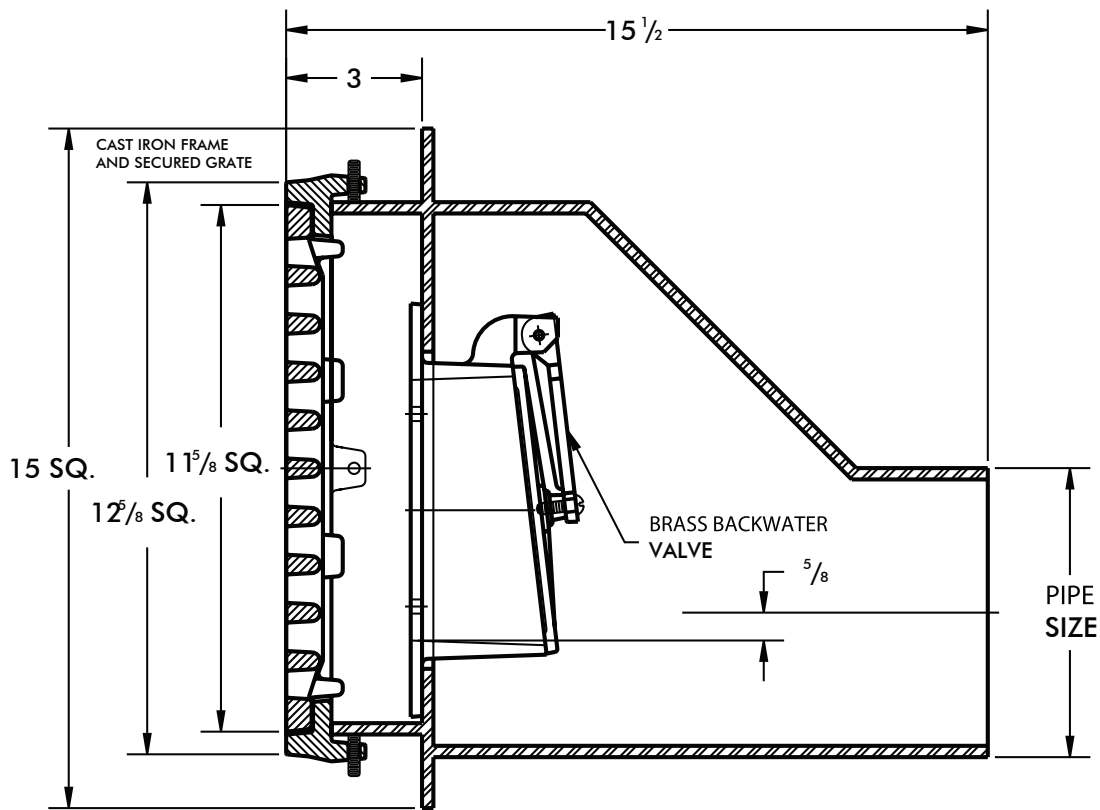


Pit Drain

WADE

1780 Painted pit drain with heavy duty fabricated steel body, hinged ductile iron slotted grate, cast iron support frame, bronze flapper style backwater valve and spigot side outlet. Note: Backwater valve does not provide a positive seal. Grate Free Area = 44.0 Sq.In.



Cat. No.	Pipe Size	Wt. Lbs.
1783	3	114.0
1784	4	114.0
1786	6	115.0

OPTIONS

Suffix	Description
1.....	Satin Nickel Bronze Top
24.....	Anchor Flange
26.....	Anchor Flange w/ Clamp Device
31.....	Backwater Valve
39.....	Galvanized Parts