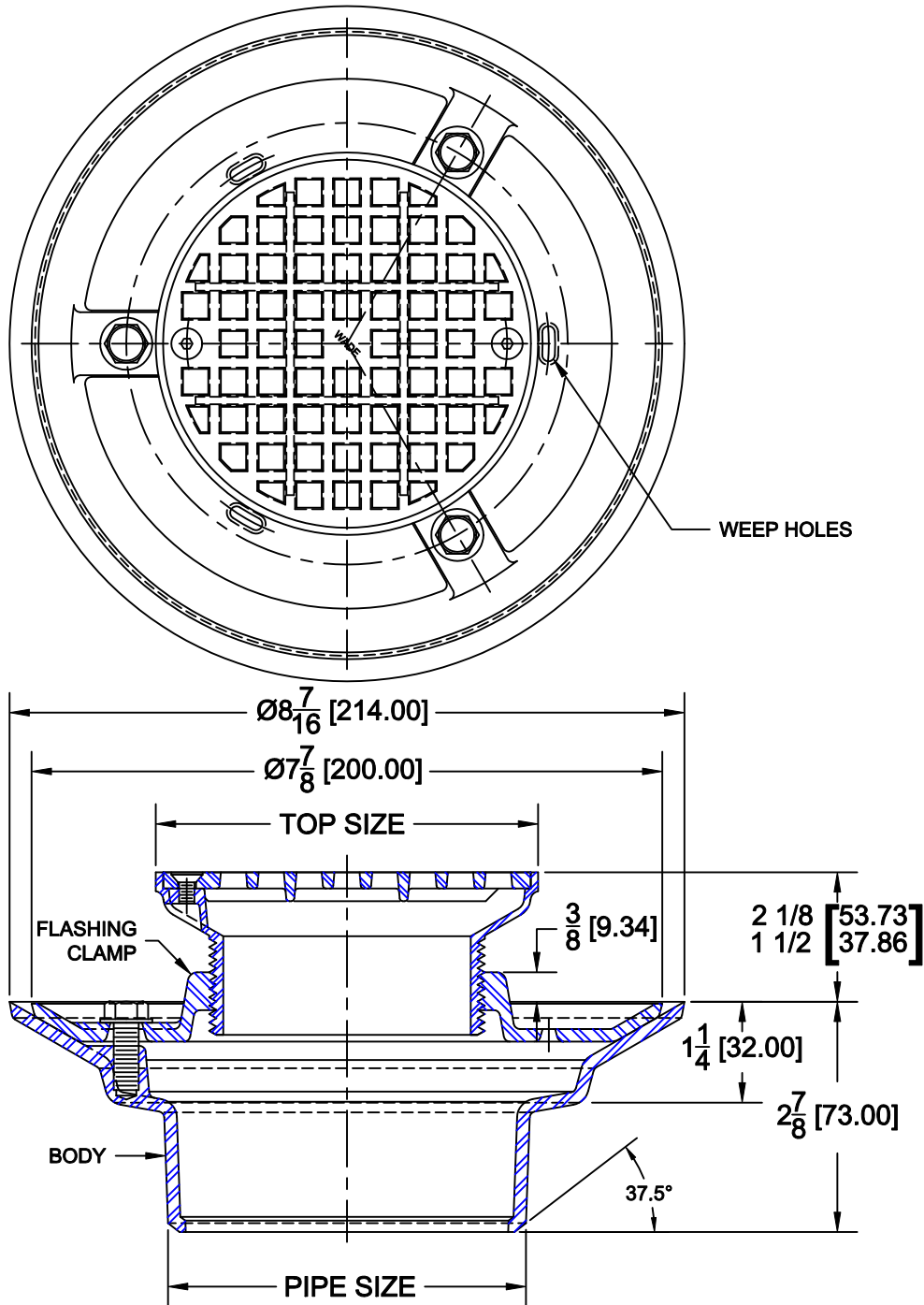


FLOOR DRAIN



1100-SS

STAINLESS STEEL FLOOR DRAIN WITH ADJUSTABLE STRAINER, SECURED SQUARE HOLE GRATE, ANCHOR FLANGE W/ AND BUTT-WELD SPIGOUT OUTLET



Cat. No.	Pipe Size	Top Size	Wt. Lbs.	OPTIONS	
<input type="checkbox"/> 1102-SS-STD5	2 (50)	5 (125)	7.4	Suffix	Description
<input type="checkbox"/> 1103-SS-STD5	3 (75)	5 (125)	7.4	<input type="checkbox"/> 27	S/S SEDIMENT BASKET
<input type="checkbox"/> 1104-SS-STD5	4 (100)	5 (125)	7.4	<input type="checkbox"/> 31	BACKWATER VALVE (BRASS TRIM)
<input type="checkbox"/> 1102-SS-STD6	2 (50)	6 (150)	7.8	<input type="checkbox"/> 179	SECURITY SCREWS
<input type="checkbox"/> 1103-SS-STD6	3 (75)	6 (150)	7.8		
<input type="checkbox"/> 1104-SS-STD6	4 (100)	6 (150)	7.8		

AutoCad.dwg