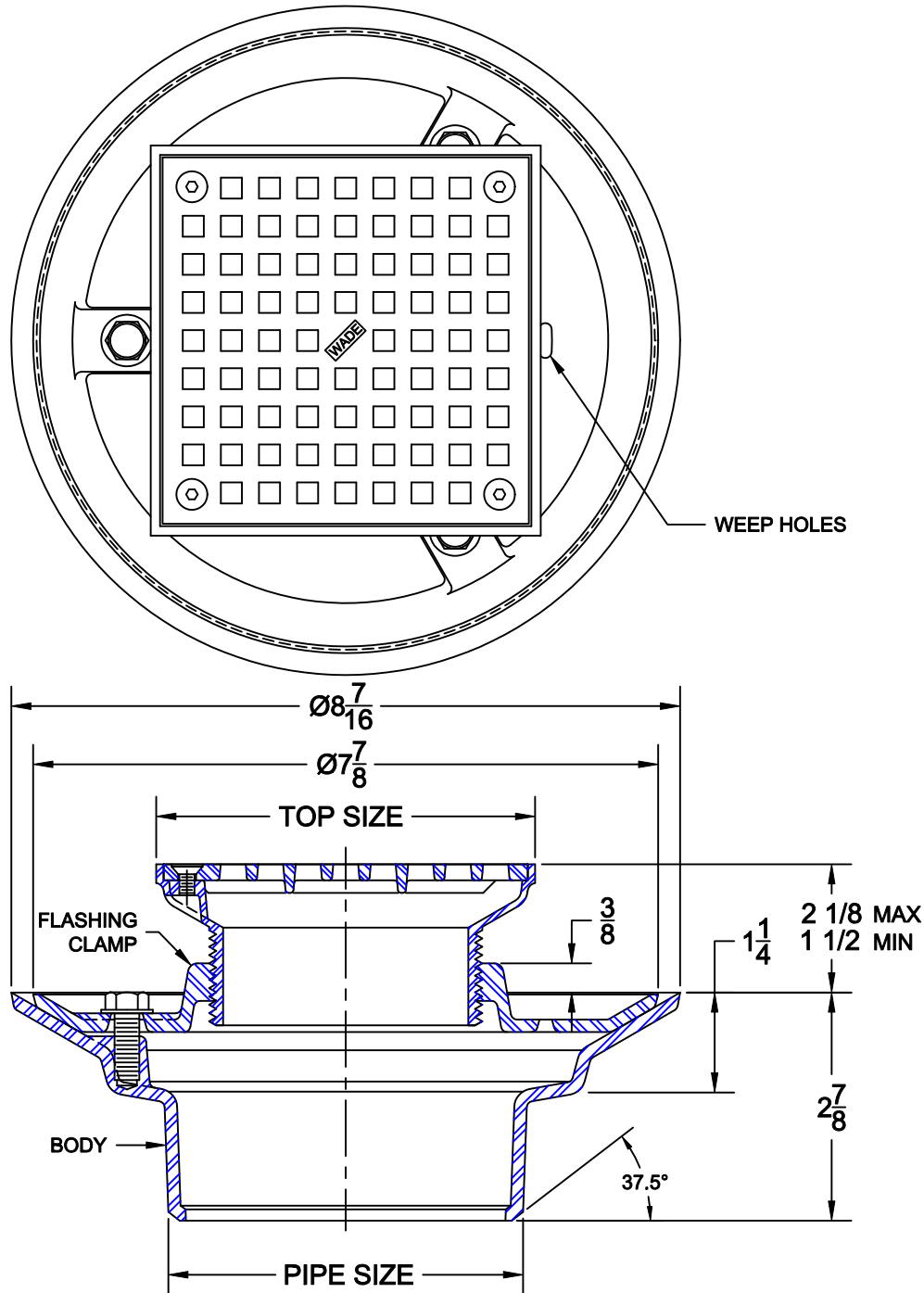


FLOOR DRAIN



1100-SS-GS

STAINLESS STEEL FLOOR DRAIN WITH ADJUSTABLE SQUARE STRAINER, SECURED SQUARE HOLE GRATE, ANCHOR FLANGE W/ AND BUTT-WELD / NO-HUB SPIGOUT OUTLET



Cat. No.	Pipe Size	Top Size	Wt. Lbs.
<input type="checkbox"/> 1102-SS-GS5	2	5	7.4
<input type="checkbox"/> 1103-SS-GS5	3	5	7.4
<input type="checkbox"/> 1104-SS-GS5	4	5	7.4
<input type="checkbox"/> 1102-SS-GS6	2	6	7.8
<input type="checkbox"/> 1103-SS-GS6	3	6	7.8
<input type="checkbox"/> 1104-SS-GS6	4	6	7.8

OPTIONS

Suffix	Description
<input type="checkbox"/> 27	S/S SEDIMENT BASKET
<input type="checkbox"/> 31	BACKWATER VALVE (BRASS TRIM)
<input type="checkbox"/> 179	SECURITY SCREWS

AutoCad.dwg