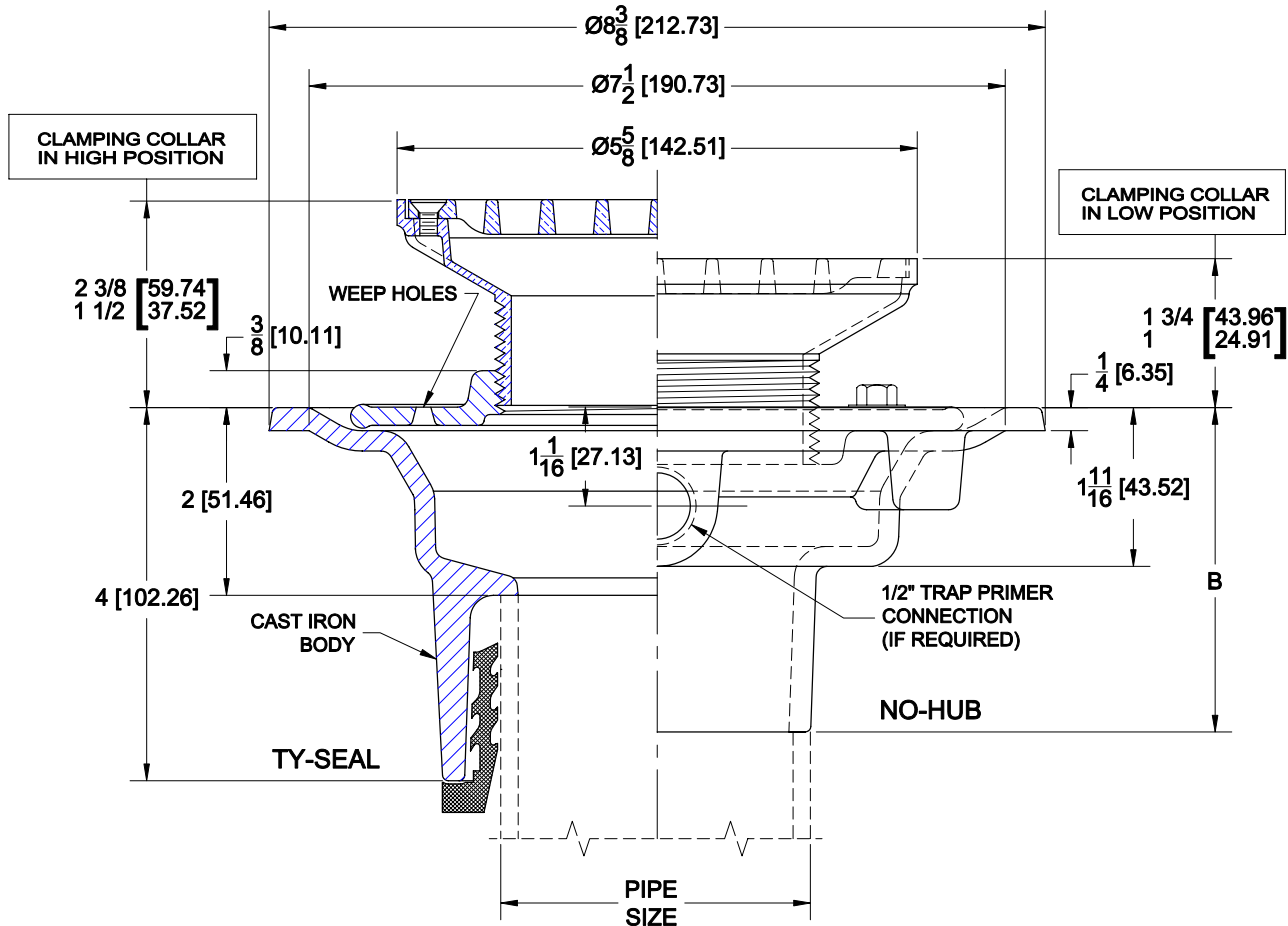
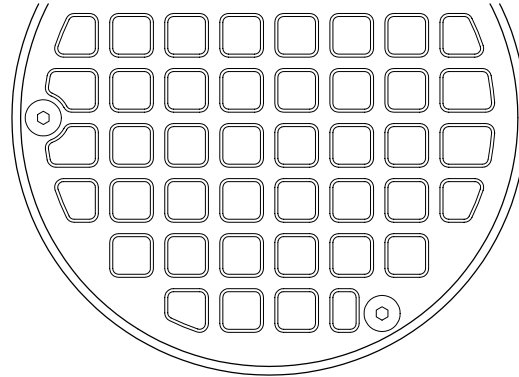


# ADJUSTABLE FLOOR DRAIN



1100-AX

CAST IRON FLOOR DRAIN WITH FLANGE, REVERSIBLE CLAMPING COLLAR, SEEPAGE OPENINGS, 1/2" TRAP PRIMER TAP (PLUGGED) & SATIN NICKEL BRONZE STRAINER W/ SECURED HEAVY DUTY GRATE.



OUTLET	NO-HUB	INSIDE CAULK	THREADED
B	3 1/2 (88.9)	4 1/4 (107.9)	2 3/4 (69.9)

### OPTIONS

Cat. No.	Pipe Size	Wt. Lbs.	Suffix	Description
<input type="checkbox"/> 1102-AX6	2 (50)	9.5	<input type="checkbox"/> 27	SEDIMENT BASKET
<input type="checkbox"/> 1103-AX6	3 (75)	9.8	<input type="checkbox"/> 31	BACKWATER VALVE
<input type="checkbox"/> 1104-AX6	4 (100)	10.2	<input type="checkbox"/> 39	GALVANIZED IRON PARTS
			<input type="checkbox"/> 94	EXTENSION ADAPTER

### OUTLETS

<input type="checkbox"/> NH	NO-HUB	<input type="checkbox"/> TY	TY-SEAL	<input type="checkbox"/> IC	INSIDE CAULK	<input type="checkbox"/> IPS	THREADED
-----------------------------	--------	-----------------------------	---------	-----------------------------	--------------	------------------------------	----------

AutoCad.dwg