

Service Sink Carrier



620-J

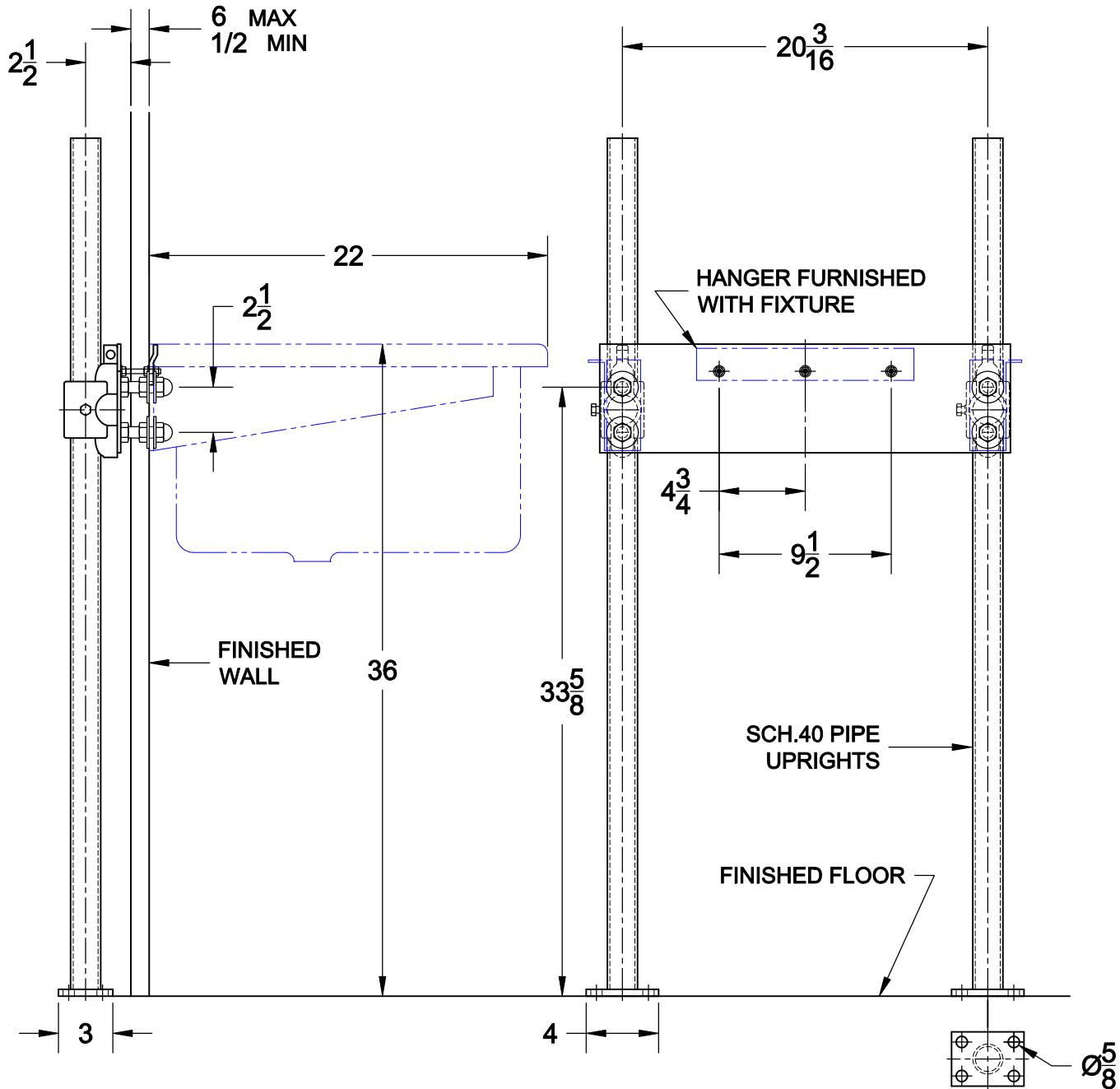
Hanger plate carrier with pipe uprights, welded base feet, fixture support hardware and finish hardware.

FIXTURE

Manufacturer Just

Name Service Sink No. A-46666

Style Stainless Steel



OPTIONS

Cat. No.	Type	Wt. Lbs.
<input type="checkbox"/> 620-J	Single	59.0

Suffix	Description
<input type="checkbox"/> M36	Rectangular Steel Uprights
<input type="checkbox"/>	

AutoCad.dwg