

Drinking Fountain Carrier



623-AM11

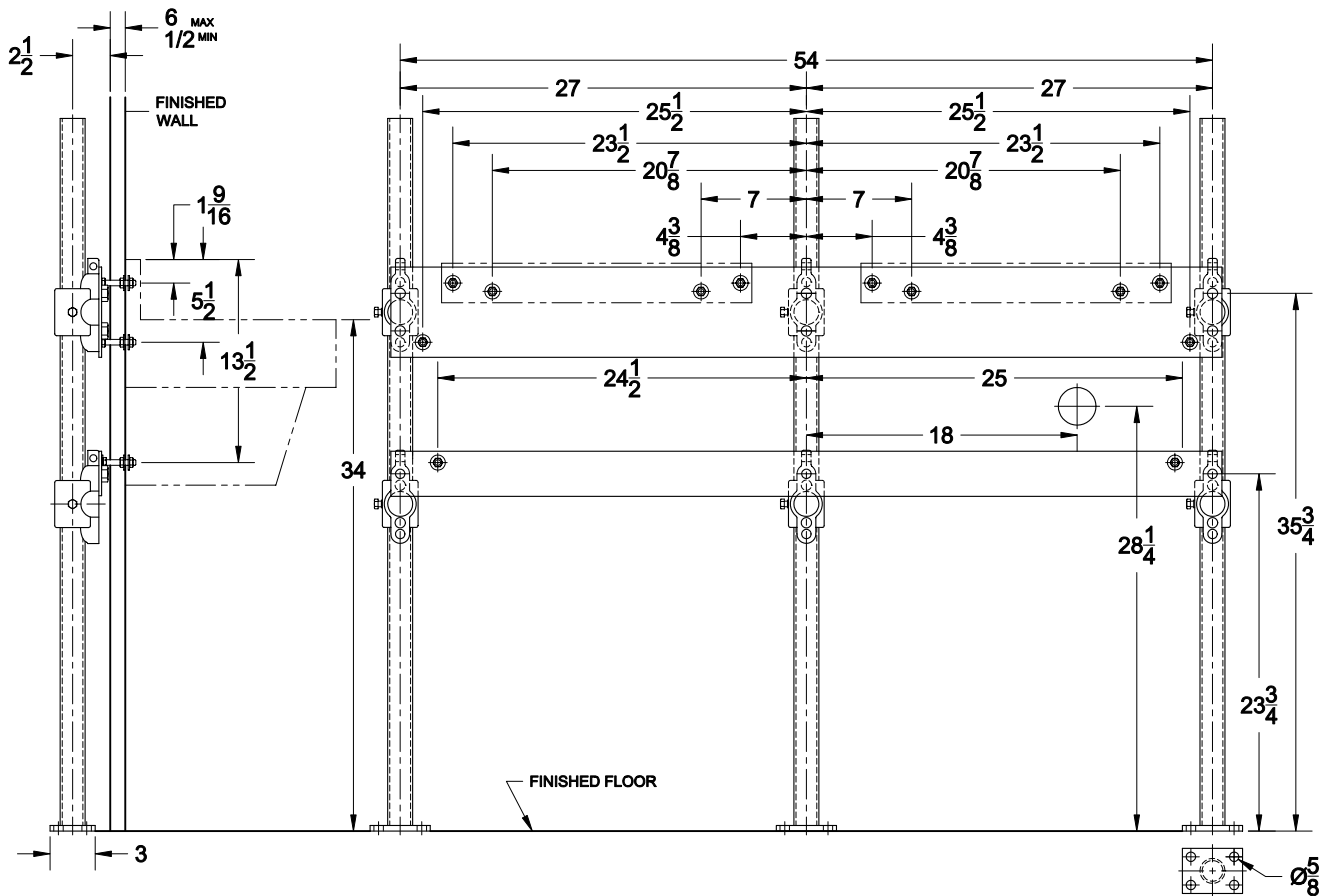
Hanger plate carrier with pipe uprights, welded base feet, lower support plate & fixture support hardware.

FIXTURE

Manufacturer Halsey Taylor

Name Three Station No. 7030

Style Fountain



OPTIONS

Cat. No.	Type	Wt. Lbs.
<input type="checkbox"/> 623-AM11	SINGLE	59.0

Suffix	Description
<input type="checkbox"/> M36	Rectangular Steel Uprights
<input type="checkbox"/>	

AutoCad.dwg