

LAVATORY CARRIER



Approval Date

Customer Approval

Job Location

Job Name

Dimensional Data (Inches/mm) are Subject to Manufacturers Tolerance and Change Without Notice. Wade Division / Tyler Pipe Assumes No Responsibility For Superseded or Voided Data

520-09

SINGLE CONCEALED ARM LAVATORY CARRIER] WITH SCH.40 PIPE UPRIGHTS, CAST IRON HEADER COUPLINGS AND SUPPORT HARDWARE.

FIXTURE

Manufacturer American Standard

Name Lucerne No. 0356.037

Style Lavatory 0356.073

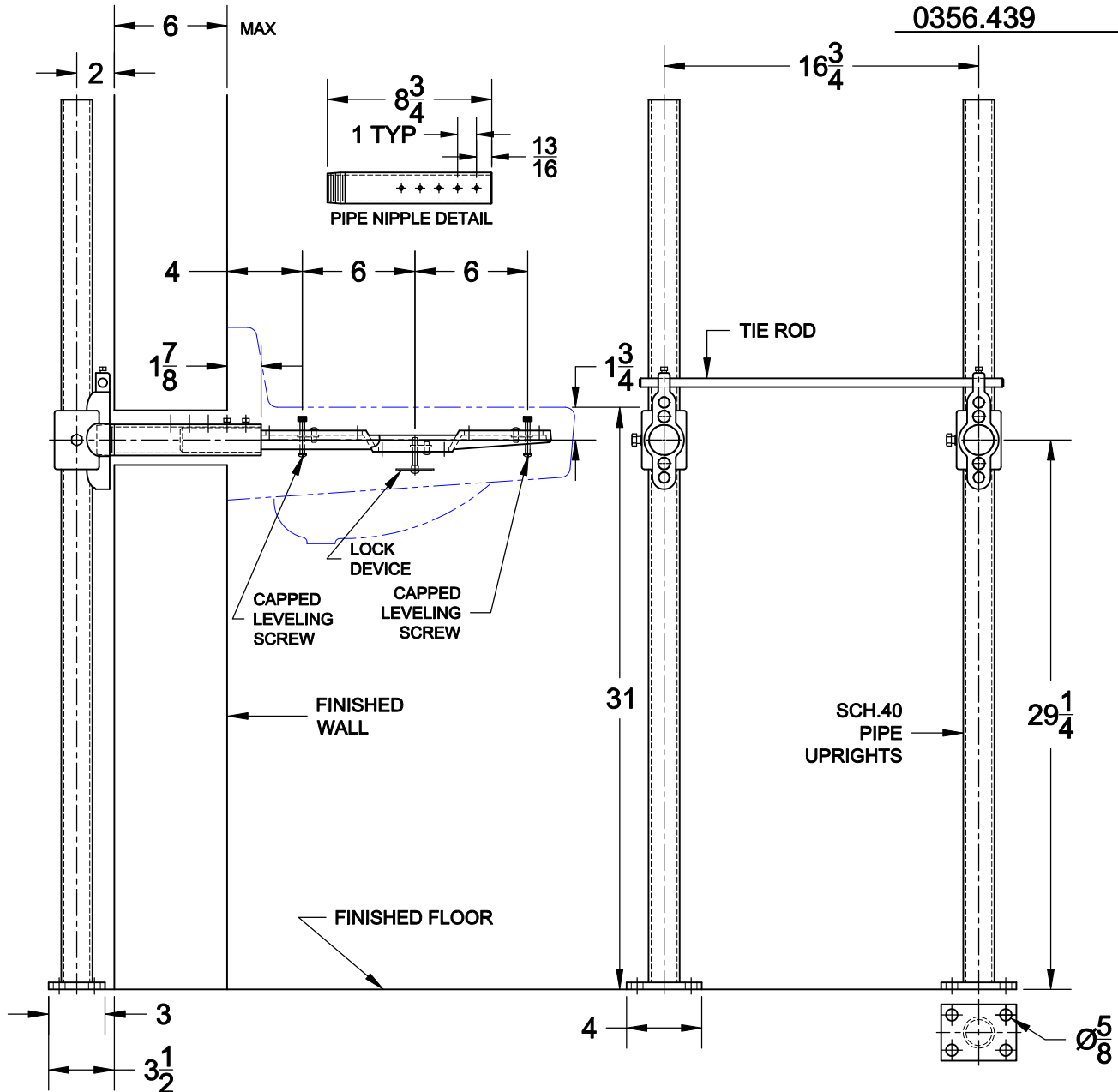
0355.012 0356.115

0355.034 0356.137

0355.056 0356.037

0356.015 0356.421

0356.439



		OPTIONS		
Cat. No.	Type	Wt. Lbs.	Suffix	Description
<input type="checkbox"/> 520-09	Single	36.0	<input type="checkbox"/> M36	Rectangular Steel Uprights
			<input type="checkbox"/>	

AutoCad.dwg