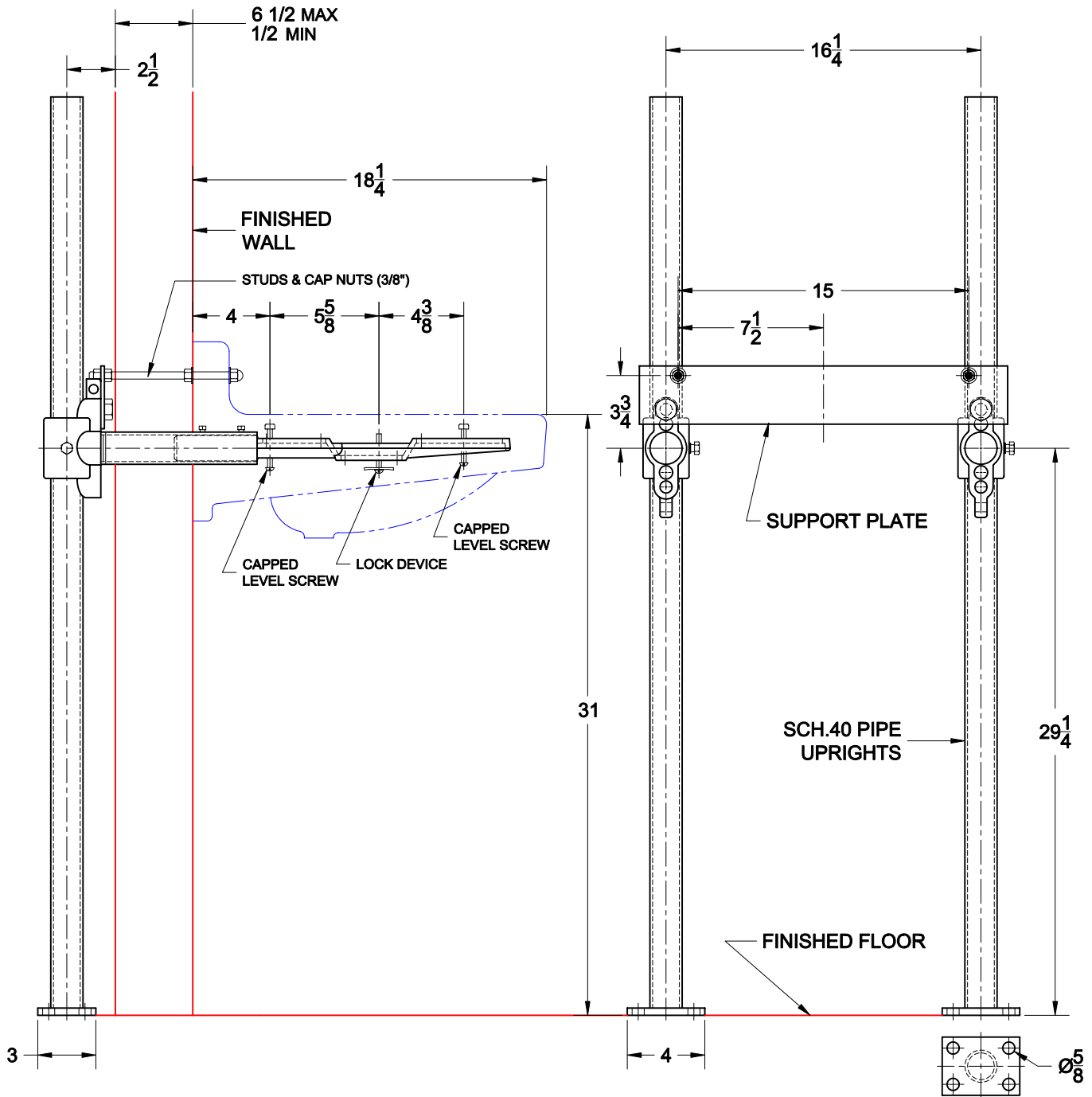


# LAVATORY CARRIER



520-08-SC43

LAVATORY CARRIER WITH PIPE UPRIGHTS, WELDED BASE FEET, CONCEALED ARMS & SUPPORT PLATE.  
NOTE: ROUGH-IN MUST BE CONFIRMED WITH FIXTURE MANUFACTURERS LATEST LITERATURE.



## FIXTURE

Manufacturer CRANE

Name HARWICH No. 1-412 (Vor S)

Style LAVATORY

Cat. No.	Type	Wt. Lbs.
<input type="checkbox"/> 520-08-SC43 SGL		65.0