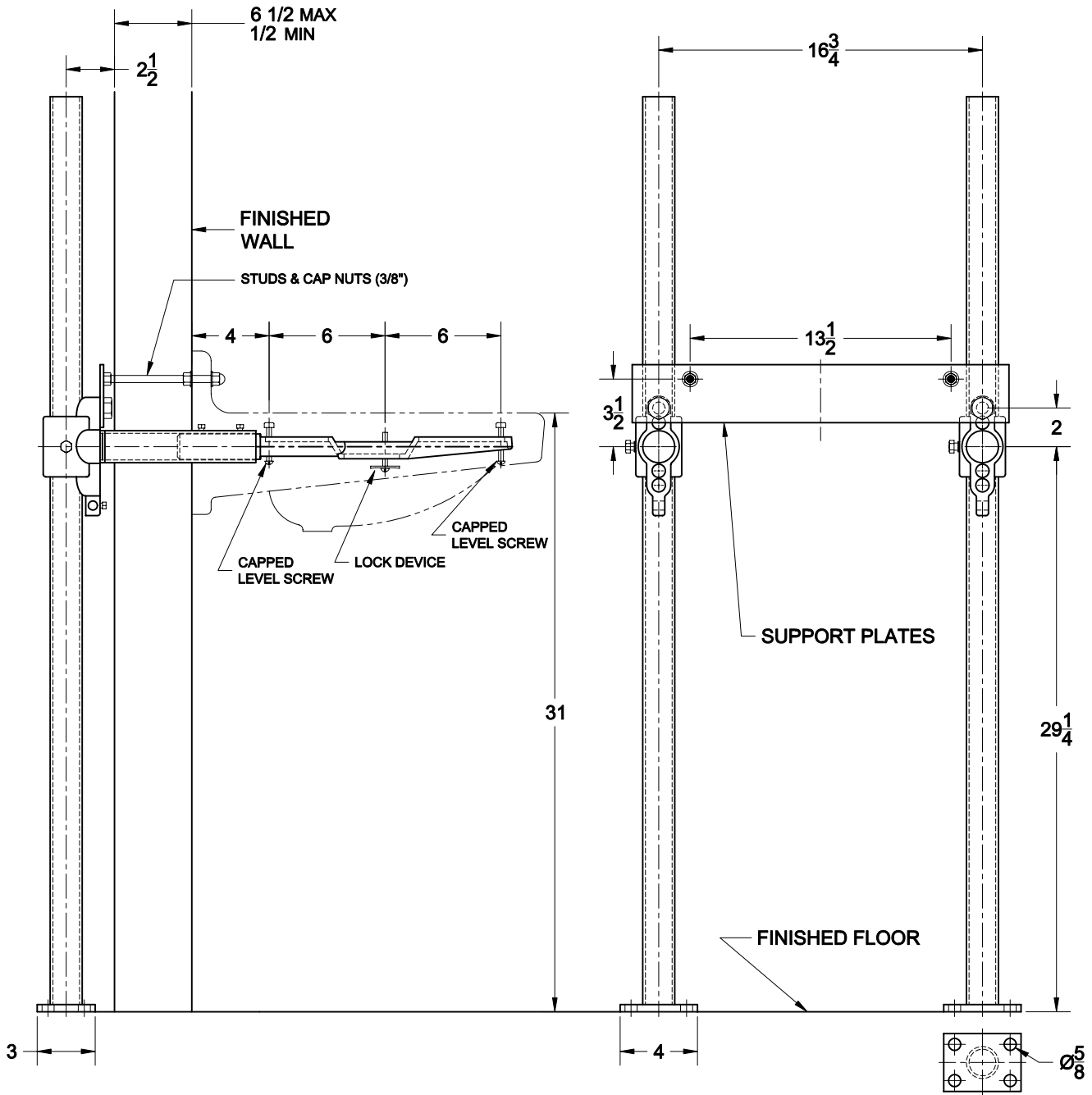


LAVATORY CARRIER



520-08-SC43

LAVATORY CARRIER WITH PIPE UPRIGHTS, WELDED BASE FEET, CONCEALED ARMS AND SUPPORT PLATE WITH HARDWARE



FIXTURE

Manufacturer AMERICAN STANDARD
 Name LUCERENE No. 0356.052
 Style LAVATORY

Cat. No.	Type	Wt. Lbs.
520-08-SC43 SGL		65.0