

LAVATORY CARRIER



FIXTURE

520-08

CONCEALED ARM CARRIER WITH PIPE UPRIGHTS
WELDED BASE FEET AND HARDWARE. Manufacturer Kohler

Name Greenwich No. K-2034

Style Lavatory K-2036

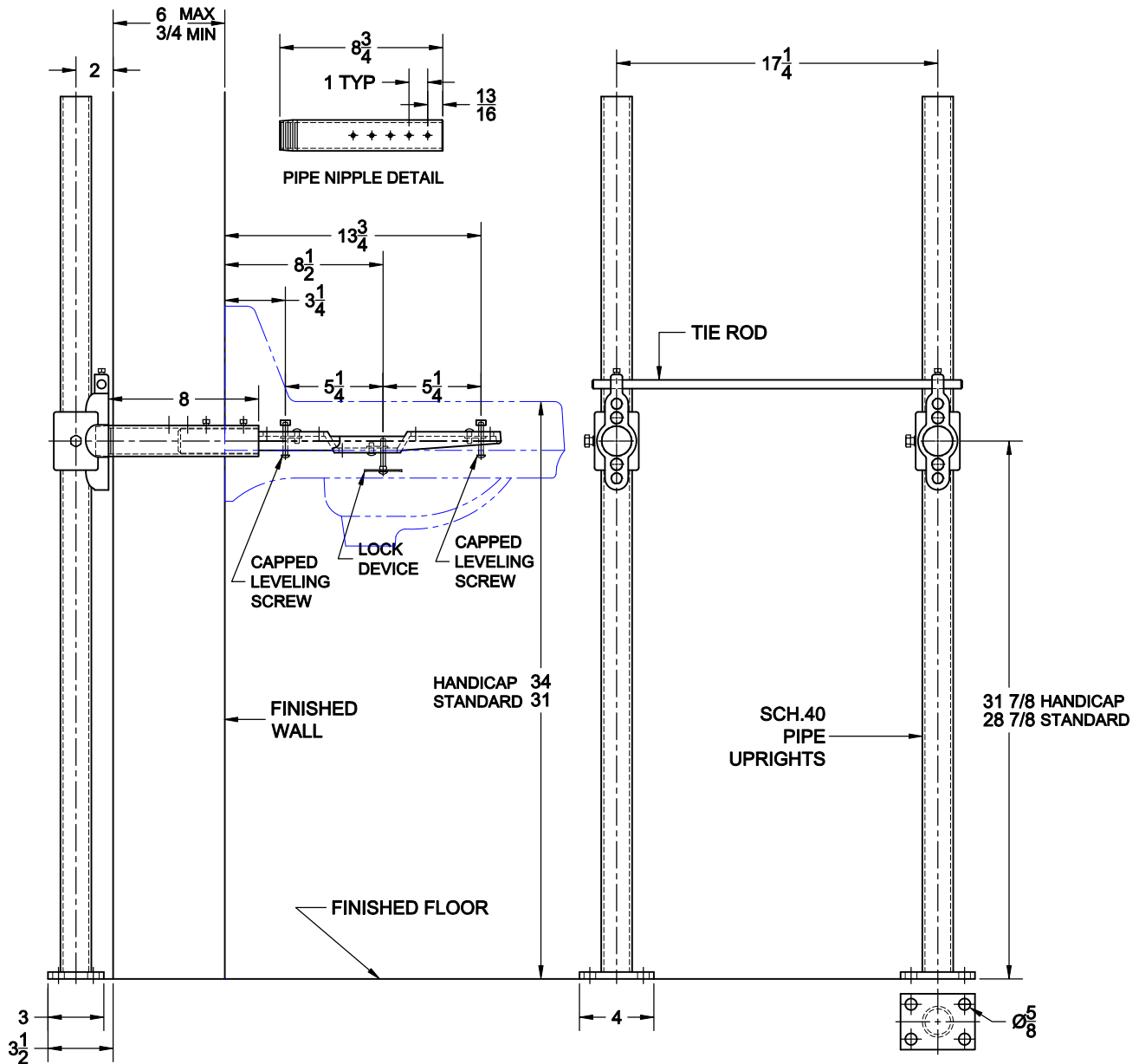
Approval Date

Customer Approval

Job Location

Job Name

Dimensional Data (inches/mm) are Subject to Manufacturers Tolerance and Change Without Notice. Wade Division / Tyler Pipe Assumes No Responsibility For Superseded or Voided Data



OPTIONS

Cat. No.	Type	Wt. Lbs.	Suffix	Description
520-08	SGL	36.0	M36	SQUARE UPRIGHTS

NOTE: CONTRACTOR MUST VERIFY DIMENSIONS WITH FIXTURE MANUFACTURER ROUGH-IN DATA
TYLER PIPE / WADE DIVISION ACCEPTS NO RESPONSIBILITIES FOR ANY INACCURACIES IN DRAWING

AutoCad.dwg