

Lavatory Carrier



520-07

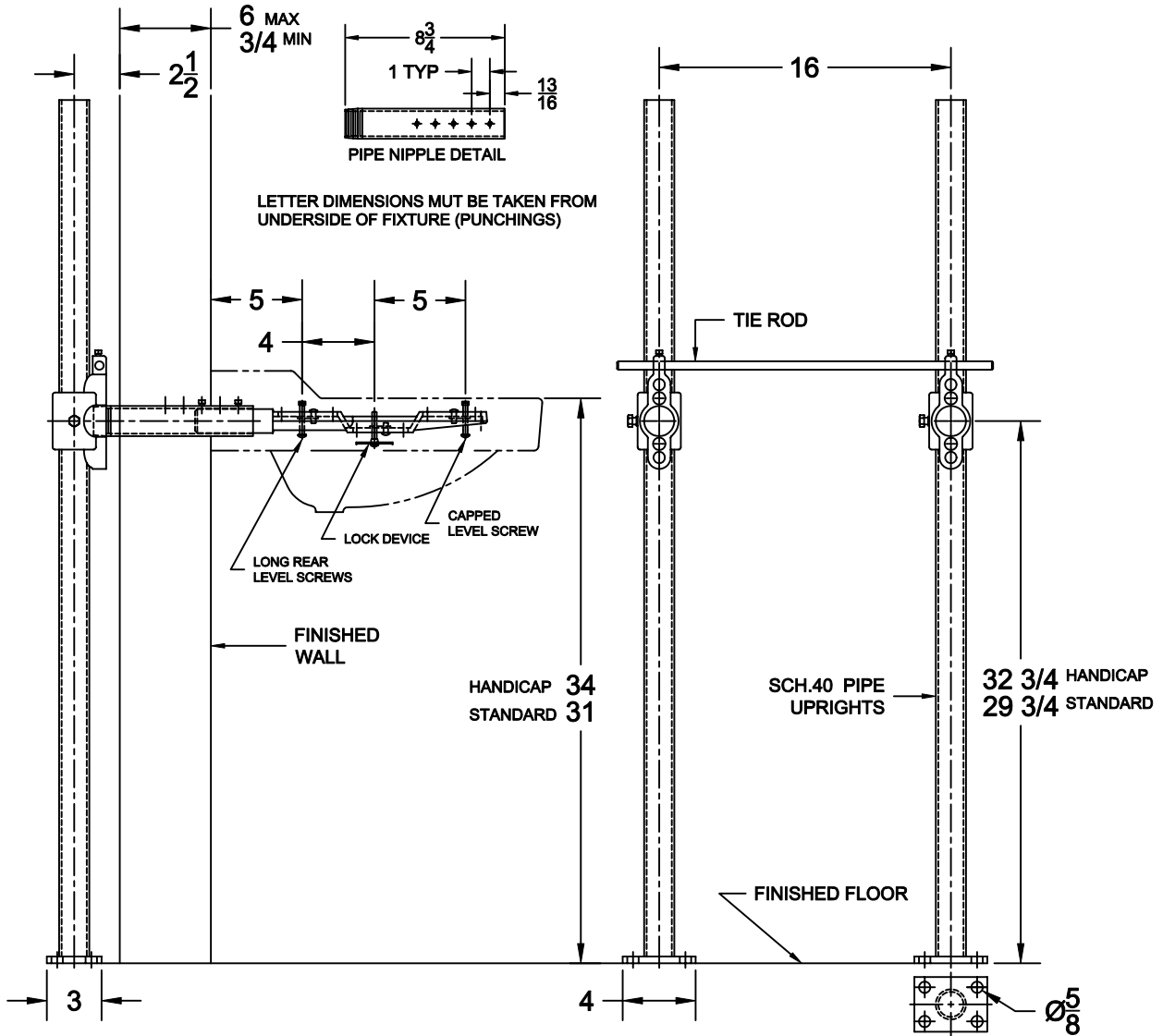
Concealed arm carrier with pipe uprights, leveling screws, lock device & welded base feet.

FIXTURE

Manufacturer AMERICAN STANDARD

Name DECLYN No. 0321.075

Style LAVATORY



OPTIONS

Cat. No.	Type	Wt. Lbs.	Suffix	Description
<input type="checkbox"/> 520-07	Single	36.0	<input type="checkbox"/> M36	Rectangular Steel Uprights
			<input type="checkbox"/> M25	Longer Rear Leveling Screws

AutoCad.dwg