

SINK CARRIER



620-SC7

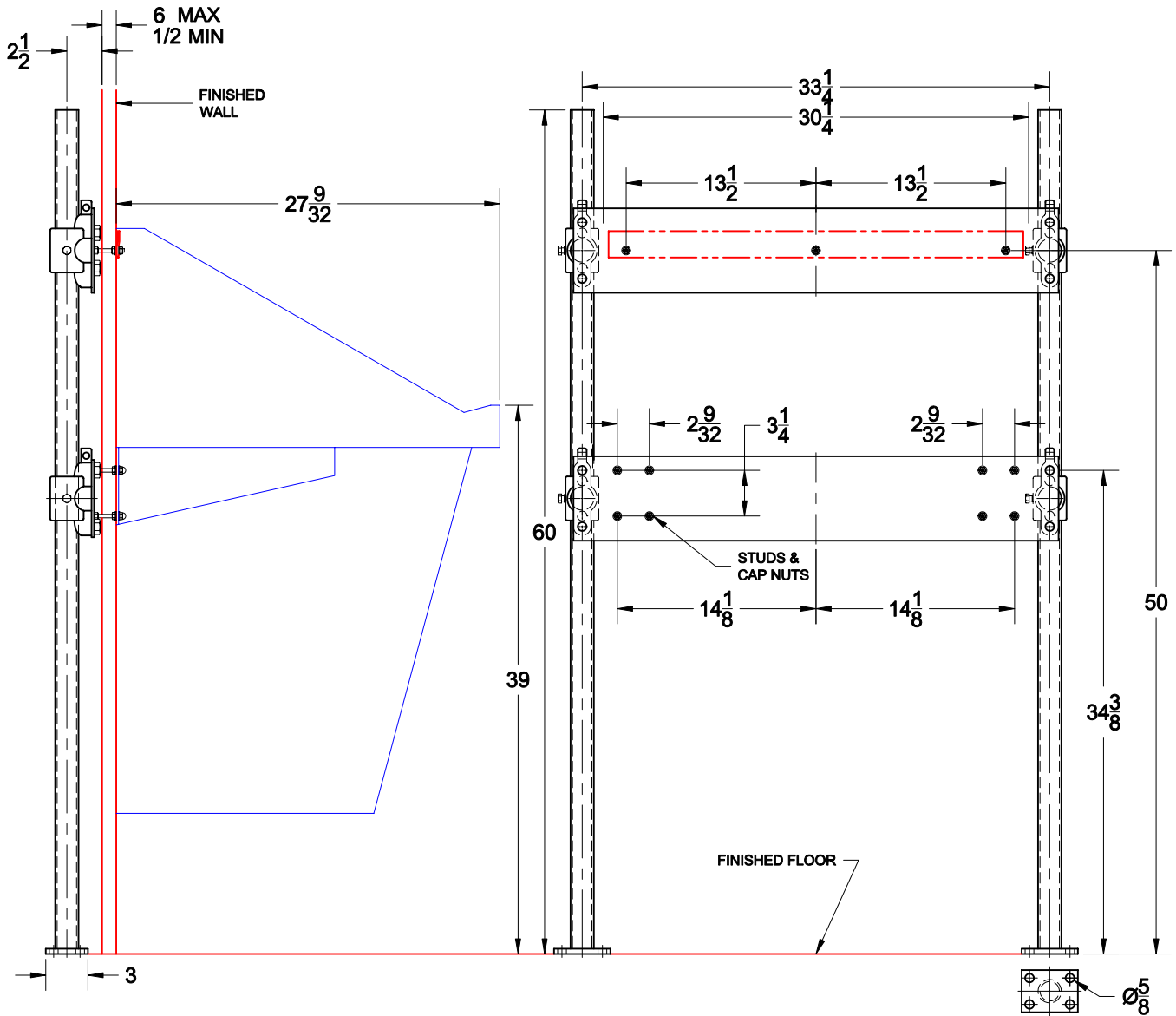
SINGLE SCRUB SINK CARRIER WITH PIPE UPRIGHTS, HANGER SUPPORT PLATE, AND LOWER PLATE FOR ARM CONNECTION.
(ARMS FURNISHED BY FIXTURE MANUFACTURER)

FIXTURE

Manufacturer American Sterilizer

Name Fleximatic No. CE-12-130

Style Sgl



OPTIONS

Cat. No.	Type	Wt. Lbs.
<input type="checkbox"/> 620-SC7	SGL	63.0

Suffix	Description
<input type="checkbox"/> M36	UNISTRUT UPRIGHTS
<input type="checkbox"/>	

AutoCad.dwg