

URINAL CARRIER



Approval Date

Customer Approval

Job Location

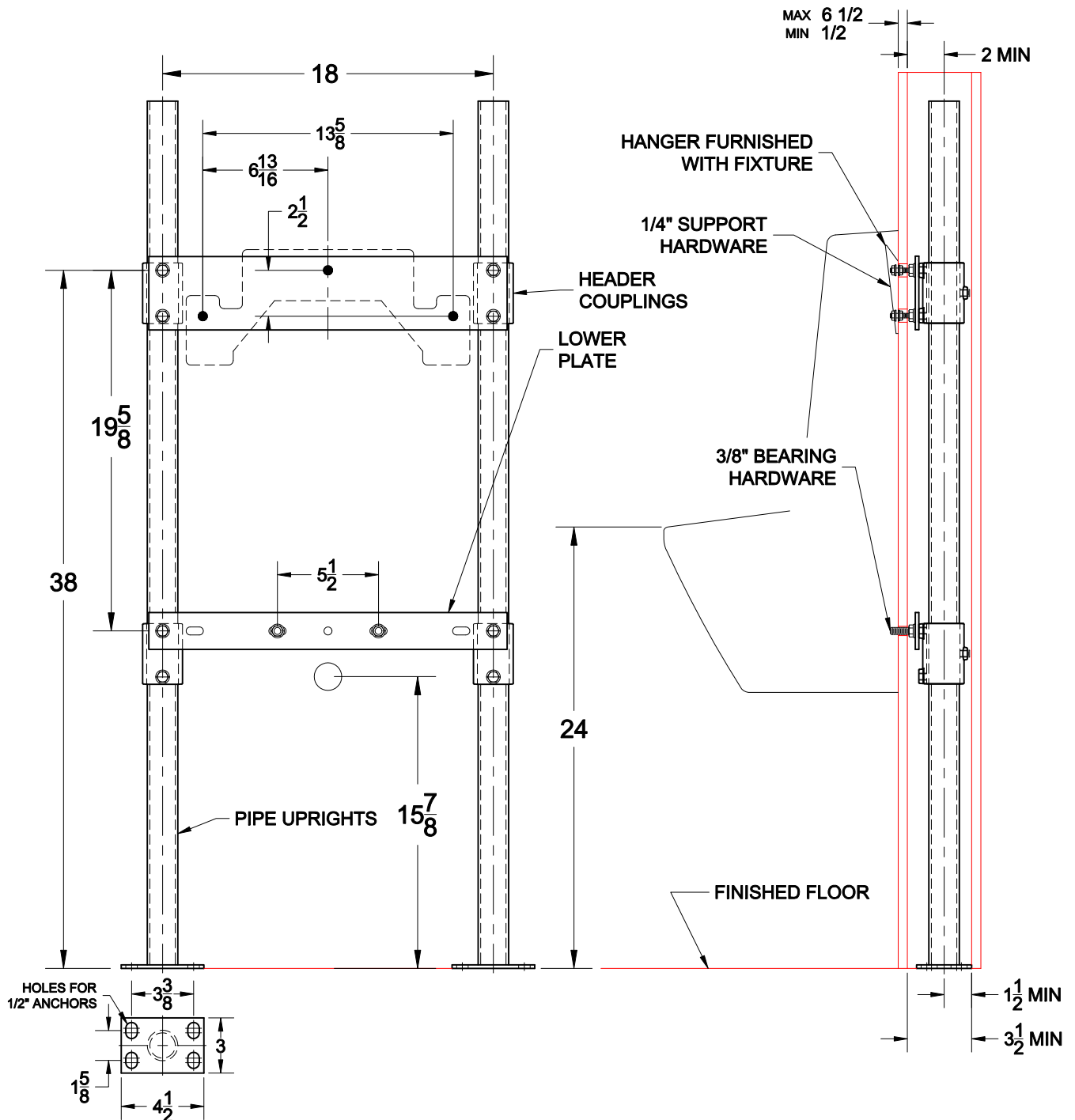
Job Name

Dimensional Data (Inches/mm) are Subject to Manufacturers Tolerance and Change Without Notice. Wade Division / Tyler Pipe Assumes No Responsibility For Superseded or Voided Data

420-AM11

**HANGER PLATE CARRIER WITH
SCH.40 PIPE UPRIGHTS, WELDED BASE
FEET AND SUPPORT HARDWARE**

SLOAN WES-1000



OPTIONS

Suffix	Description
□ M36	RECTANGULAR STEEL UPRIGHTS

AutoCad.dwg