

LAVATORY CARRIER



Approval Date

Customer Approval

Job Location

Job Name

Dimensional Data (Inches/mm) are Subject to Manufacturers Tolerance and Change Without Notice. Wade Division / Tyler Pipe Assumes No Responsibility For Superseded or Voided Data

430

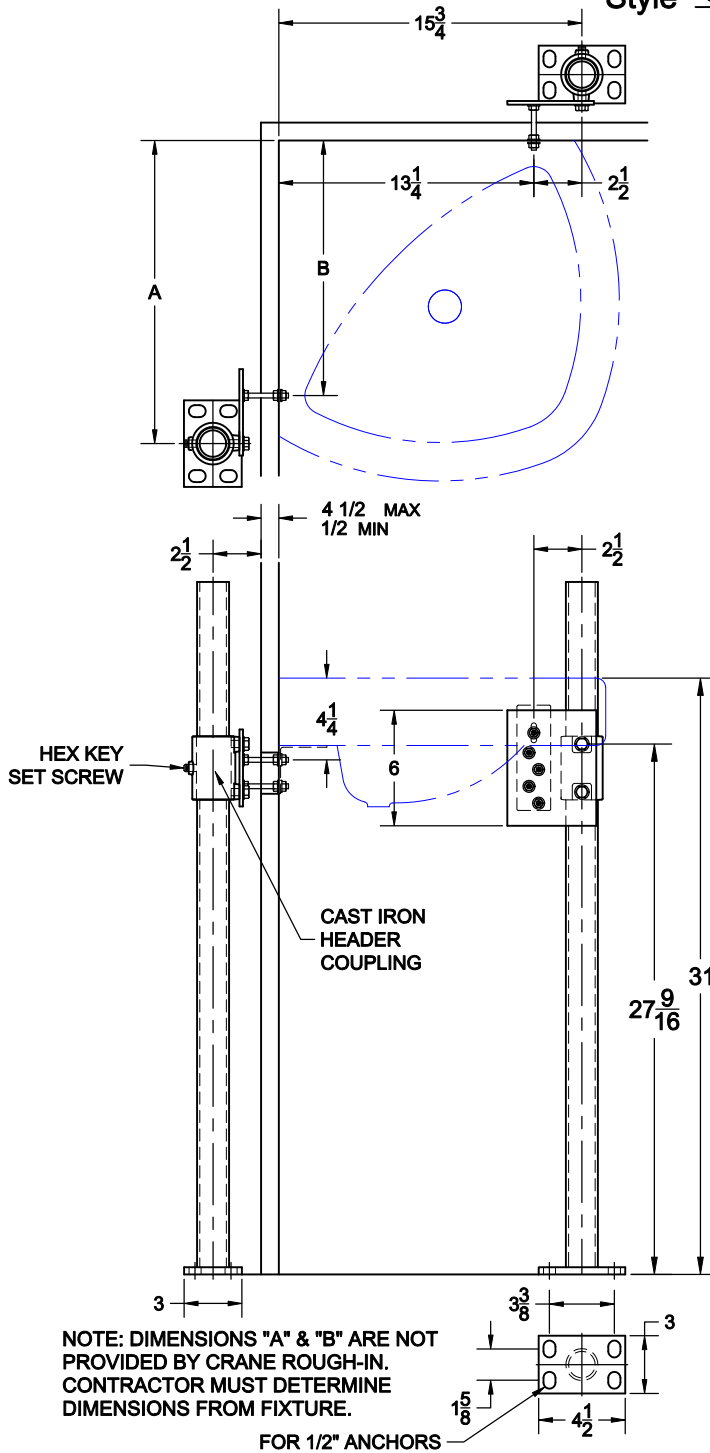
CORNER LAVATORY CARRIER WITH PIPE UPRIGHTS, WELDED BASE FEET AND HANGER SUPPORT HARDWARE

FIXTURE

Manufacturer Crane

Name Cornate No. 1373

Style Corner



NOTE: DIMENSIONS "A" & "B" ARE NOT PROVIDED BY CRANE ROUGH-IN. CONTRACTOR MUST DETERMINE DIMENSIONS FROM FIXTURE.

FOR 1/2" ANCHORS

OPTIONS

Cat. No.	Type	Wt. Lbs.	Suffix	Description
<input type="checkbox"/> 430	SGL	50	<input type="checkbox"/> M36	SQUARE UPRIGHTS

NOTE: CONTRACTOR MUST VERIFY DIMENSIONS WITH FIXTURE MANUFACTURER ROUGH-IN DATA TYLER PIPE / WADE DIVISION ACCEPTS NO RESPONSIBILITY FOR ANY INACCURACIES IN DRAWING

AutoCad.dwg