

LAVATORY CARRIER



Approval Date

Customer Approval

Job Location

Job Name

Dimensional Data (Inches/mm) are Subject to Manufacturers Tolerance and Change Without Notice. Wade Division / Tyler Pipe Assumes No Responsibility For Superseded or Voided Data

420-M29

HANGER PLATE CARRIER WITH PIPE UPRIGHTS, WELDED BASE FEET & HARDWARE.

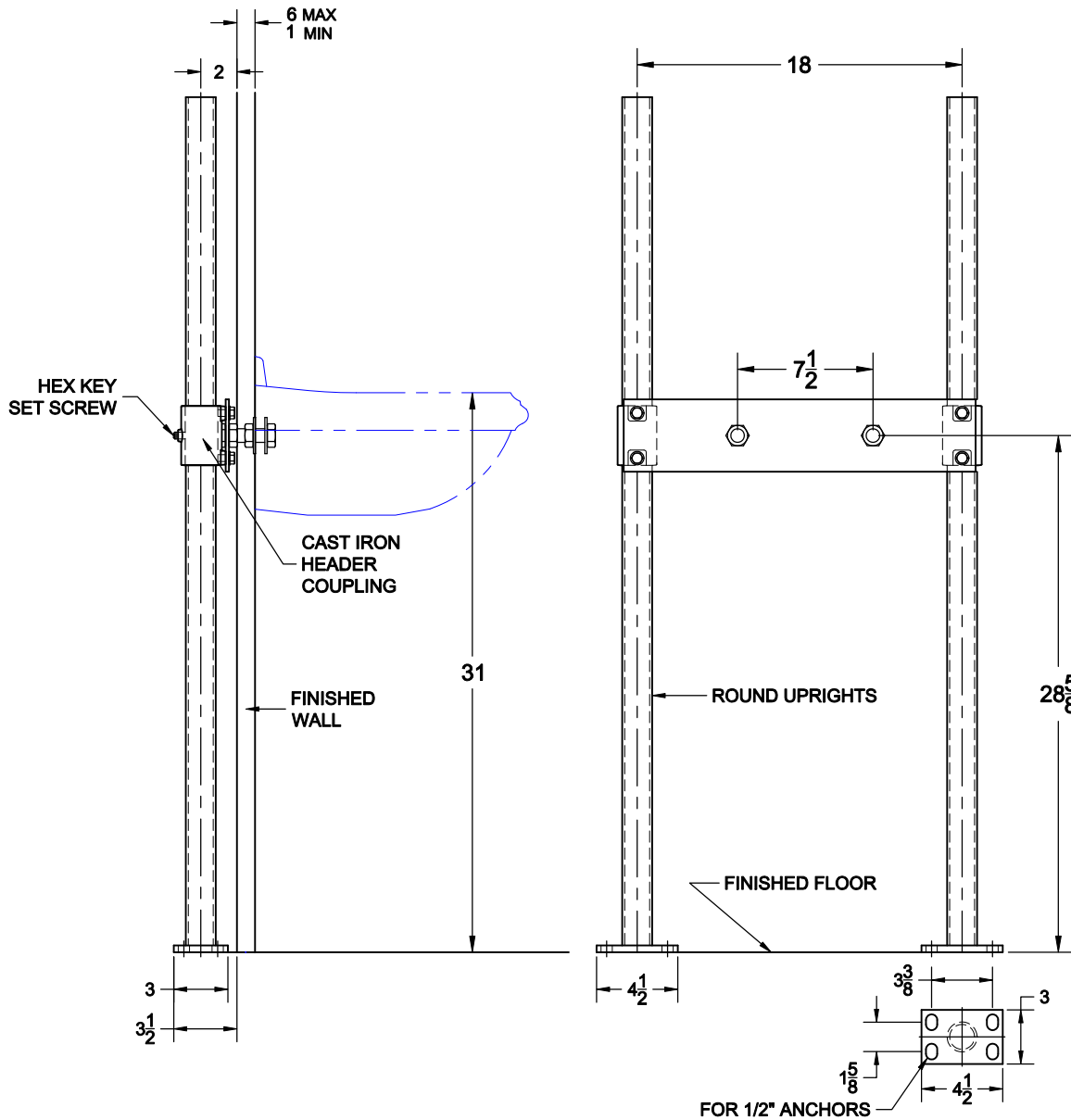
FIXTURE

Manufacturer Kohler

Name Portrait

No. K-2272-4

Style Lavatory



OPTIONS

| Cat. No. | Type | Wt. Lbs. | Suffix | Description |
|----------------------------------|------|----------|------------------------------|-----------------|
| <input type="checkbox"/> 420-M29 | SGL | 30.0 | <input type="checkbox"/> M36 | SQUARE UPRIGHTS |

NOTE: CONTRACTOR MUST VERIFY DIMENSIONS WITH FIXTURE MANUFACTURER ROUGH-IN DATA
 TYLER PIPE / WADE DIVISION ACCEPTS NO RESPONSIBILITY FOR ANY INACCURACIES IN DRAWING

AutoCad.dwg