

Drinking Fountain Carrier



420

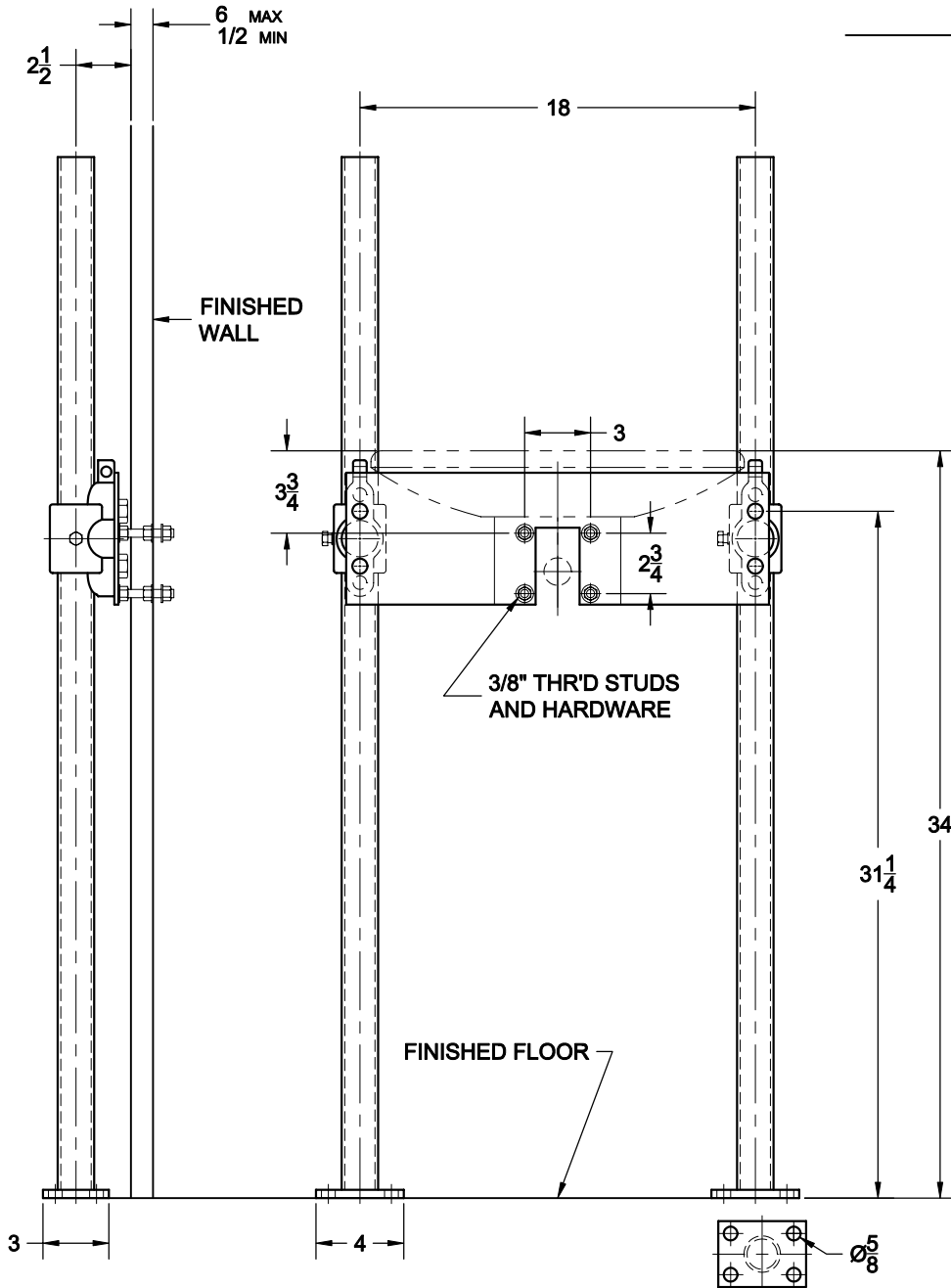
Hanger plate carrier with pipe uprights, welded base feet and fixture support hardware.

FIXTURE

Manufacturer Halsey Taylor

Name Barrier Free No. OVL-II E

Style Fountain



OPTIONS

| Cat. No. | Type | Wt. Lbs. |
|------------------------------|--------|----------|
| <input type="checkbox"/> 420 | Single | 40.0 |

| Suffix | Description |
|------------------------------|----------------------------|
| <input type="checkbox"/> M36 | Rectangular Steel Uprights |
| <input type="checkbox"/> | |

AutoCad.dwg